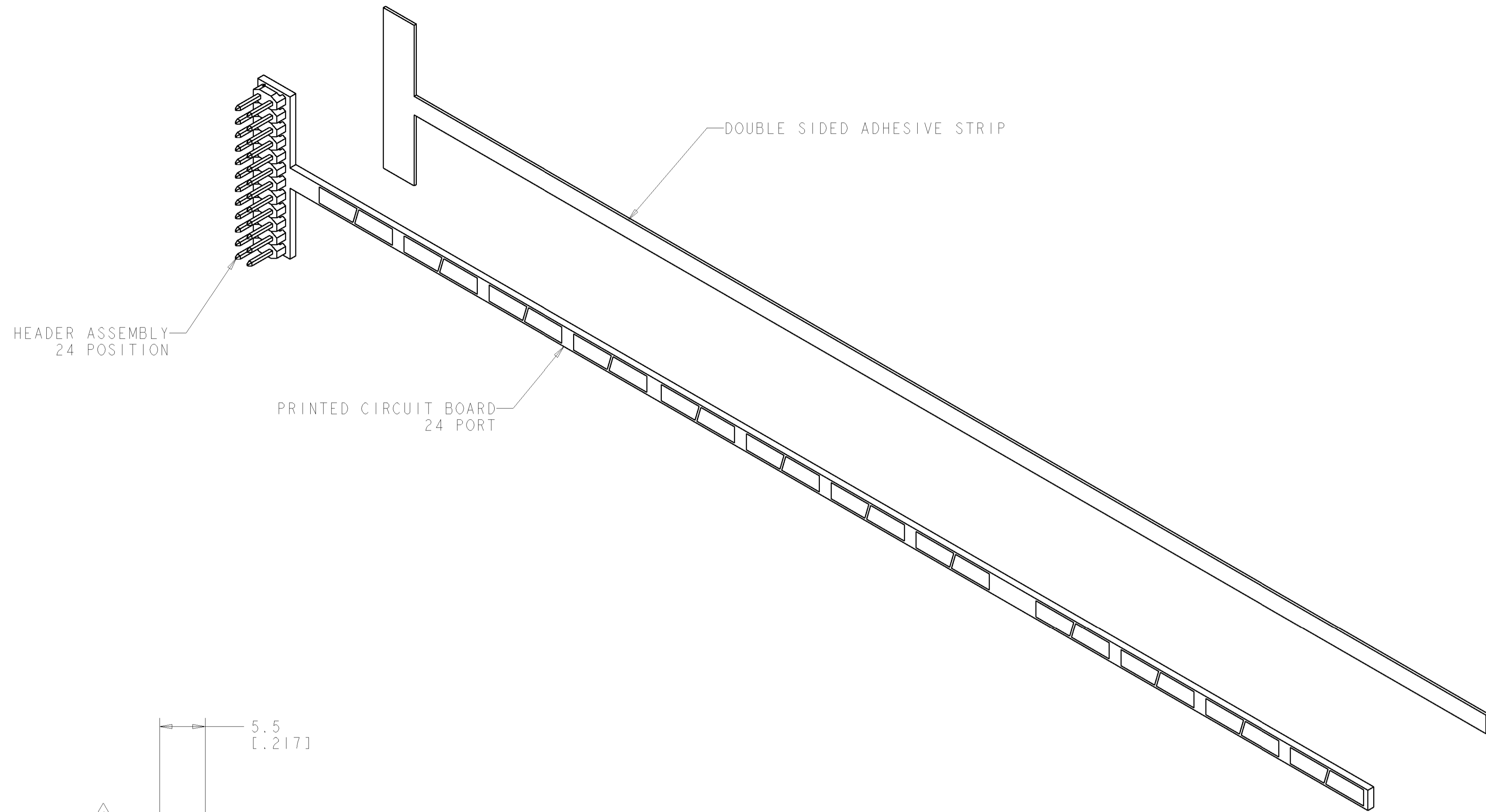
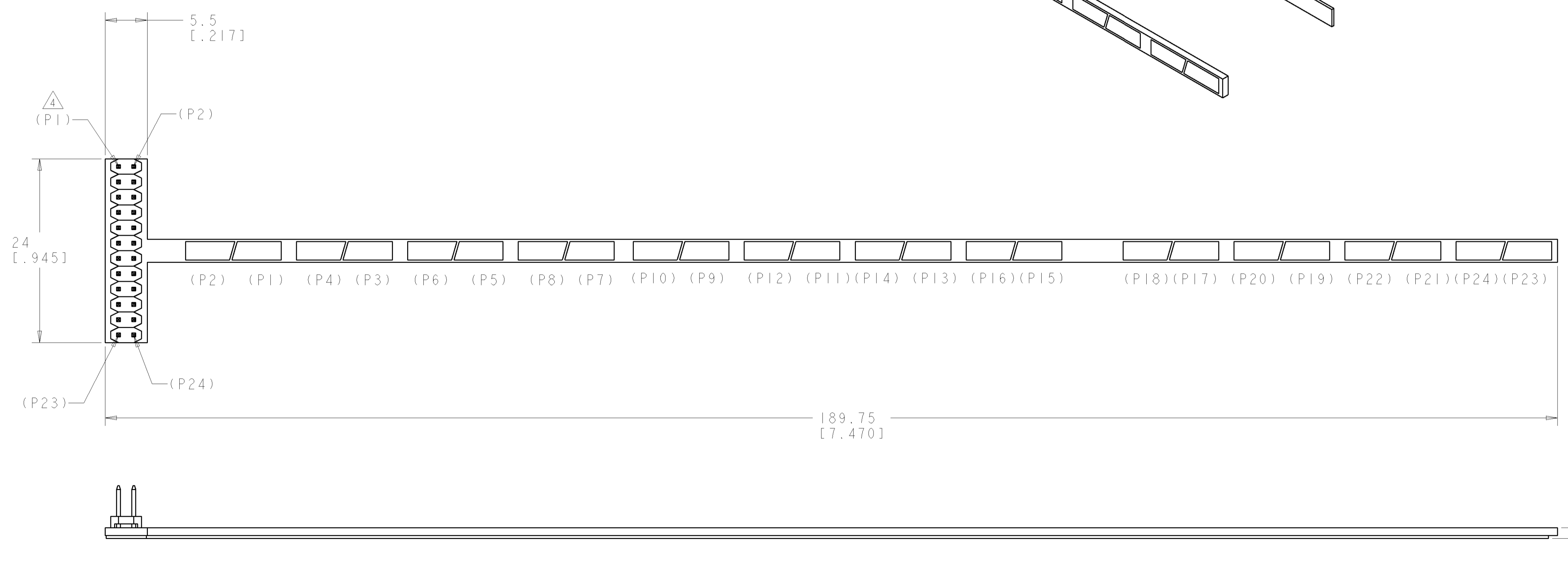


LOC	DIST	REVISIONS					
		P.	LTR	DESCRIPTION	DATE	DWN	APVD
		A		RLSD: NPR NS004-160	01DEC2004	GG	MD
		B		ADD: -2; ECO-06-009751	25APR2006	GG	MD



- 1. MATERIAL:  
 PRINTED CIRCUIT BOARD - LAMINATED  
 PLASTIC FR-4, 1.00 [.039] THICK.  
 ADHESIVE TAPE - MYLAR, 0.38 [.015] THICK.  
 HOUSING - THERMOPLASTIC, UL94V-0, BLACK.  
 CONTACTS - COPPER ALLOY.
- 2. ALL DIMENSIONS SHOWN ARE NOMINAL.
- 3. PARENTHESIS ( ) ARE FOR REFERENCE ONLY.  
 NOT SHOWN ON BOARD.
- 4. (P\_) CALLOUTS ARE FOR PIN TO PAD  
 REFERENCE ONLY.

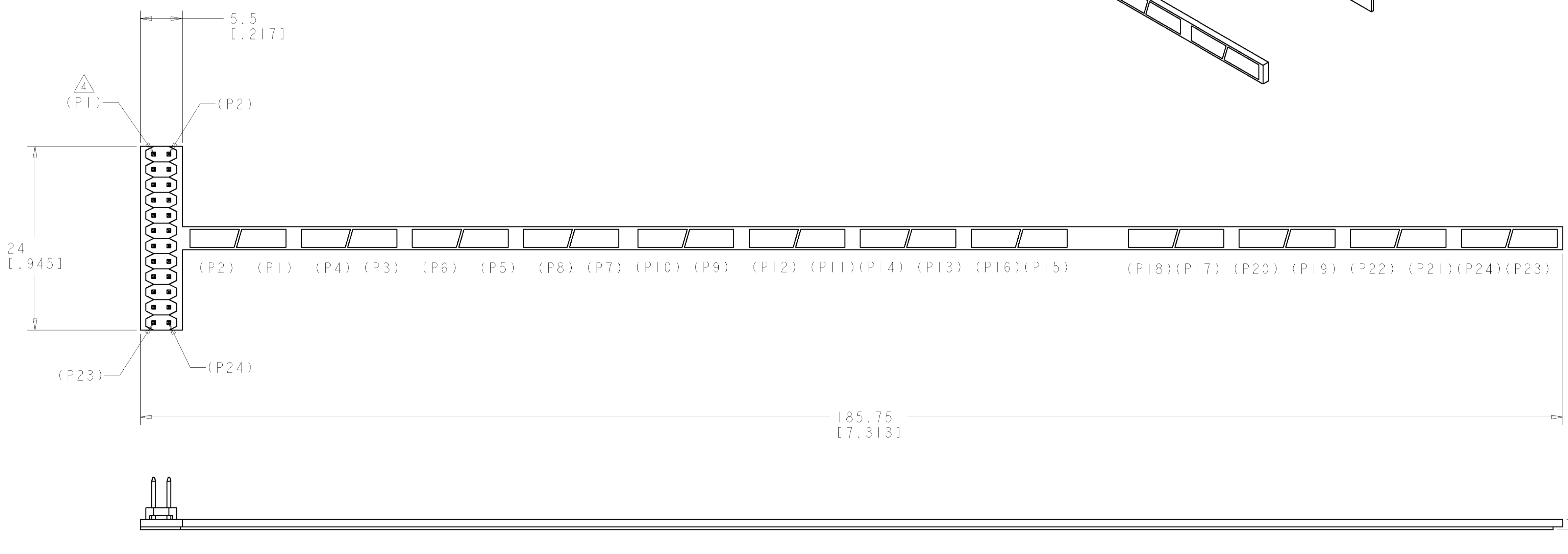
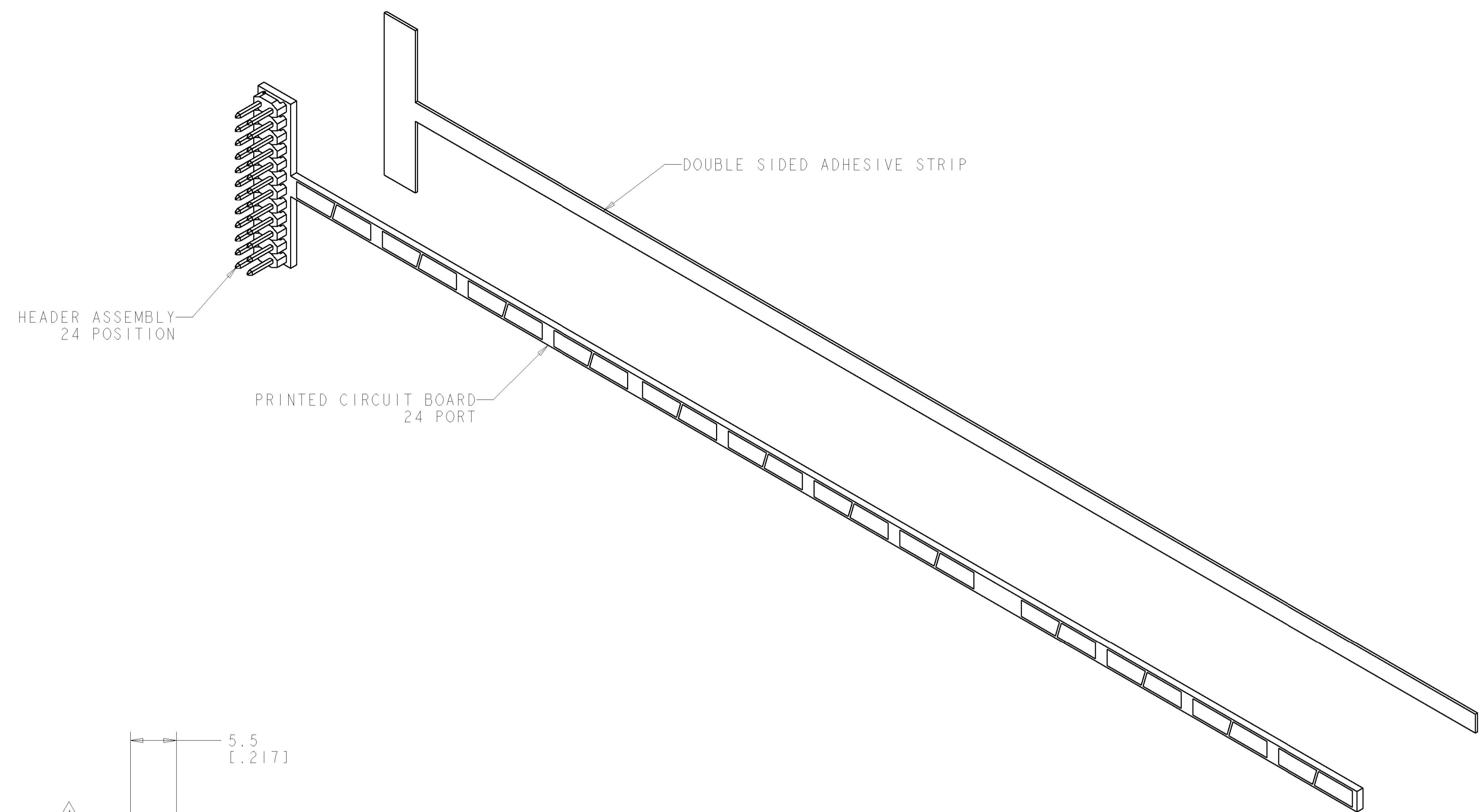


1777014-1 SHOWN

SHEET 2	1777014-2
SHEET 1	1777014-1
SHOWN ON	PART NUMBER

<small>THE DIMENSIONS IN THIS DRAWING ARE UNLESS OTHERWISE SPECIFIED TO THE DIMENSIONS OF THE PARTS MANUFACTURED BY THE ORGANIZATION SHOWN IN THE PART NUMBER.</small>		DWN: G. GARRETT 01DEC2004 ENR: M. DELPHIAS 01DEC2004 APVD: M. DELPHIAS 01DEC2004	<b>tyco</b> Electronics Tyco Electronics Harrisburg, PA 17105-3608
DIMENSIONS: MILLI [INCHES]	TOLERANCES UNLESS OTHERWISE SPECIFIED:	PRODUCT SPEC APPLICATION SPEC WEIGHT CUSTOMER DRAWING	NAME: ASSEMBLY, AMPTRAC PCB SENSOR STRIP, 24 PORT SIZE: A1 CAGE CODE: 00779 DRAWING NO: C=1777014 RESTRICTED TO: - SCALE: 3:1 SHEET 1 OF 2 REV B
0 PLC ± .2 1 PLC ± .1 2 PLC ± .1 3 PLC ± .1 4 PLC ± .1 ANGLES ± .1	.2 .1 .1 .1 .1	FINISH: - MATERIAL: -	TICO ELECTRONICS

LOC		DIST		REVISIONS			
P	LTR	DESCRIPTION	DATE	DNW	APVD		
-	-	SEE SHEET 1	-	-	-		



1777014-2 SHOWN

<small>THE DIMENSIONS IN THIS DRAWING ARE UNLESS OTHERWISE SPECIFIED IN MILLIMETERS OR INCHES. DIMENSIONS ARE TO BE TAKEN TO THE CENTER OF THE HOLE UNLESS OTHERWISE SPECIFIED.</small>		DWN G. GARRETT 01DEC2004 ENR M. DELPHIAS 01DEC2004 APVD M. DELPHIAS 01DEC2004	<b>tyco</b> Electronics Tyco Electronics Harrisburg, PA 17105-3608
DIMENSIONS: MM [INCHES]	TOLERANCES UNLESS OTHERWISE SPECIFIED: 0 PLC ± 1 PLC ± 2 PLC ± 3 PLC ± 4 PLC ± ANGLES ±	PRODUCT SPEC APPLICATION SPEC WEIGHT CUSTOMER DRAWING	NAME ASSEMBLY, AMPTRAC PCB SENSOR STRIP, 24 PORT SIZE CAGE CODE DRAWING NO. RESTRICTED TO A 00779 C=1777014 SCALE 3:1 SHEET 2 OF 2 REV B