

4

3

2

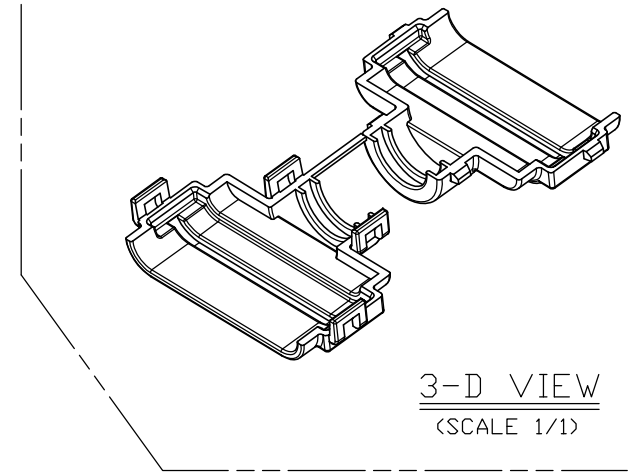
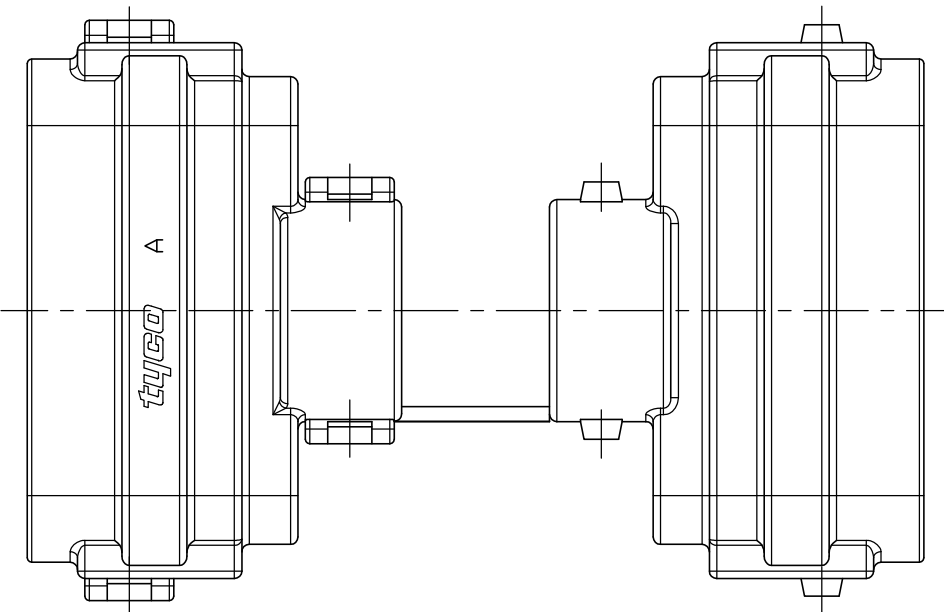
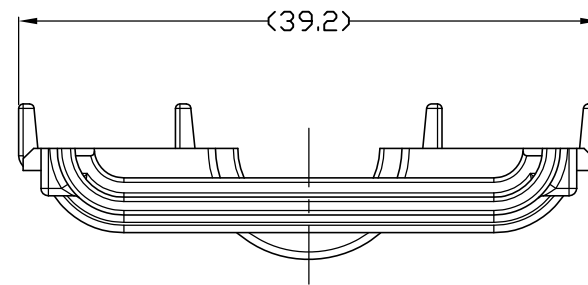
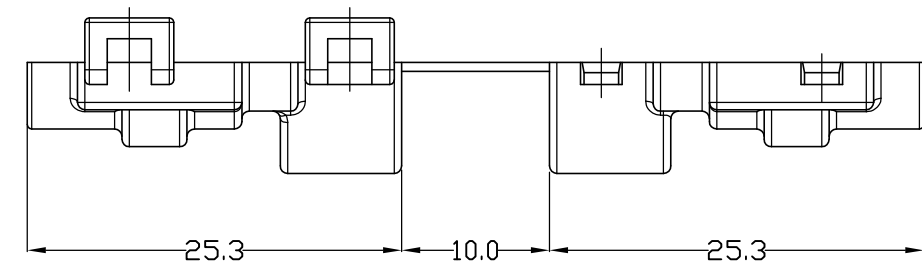
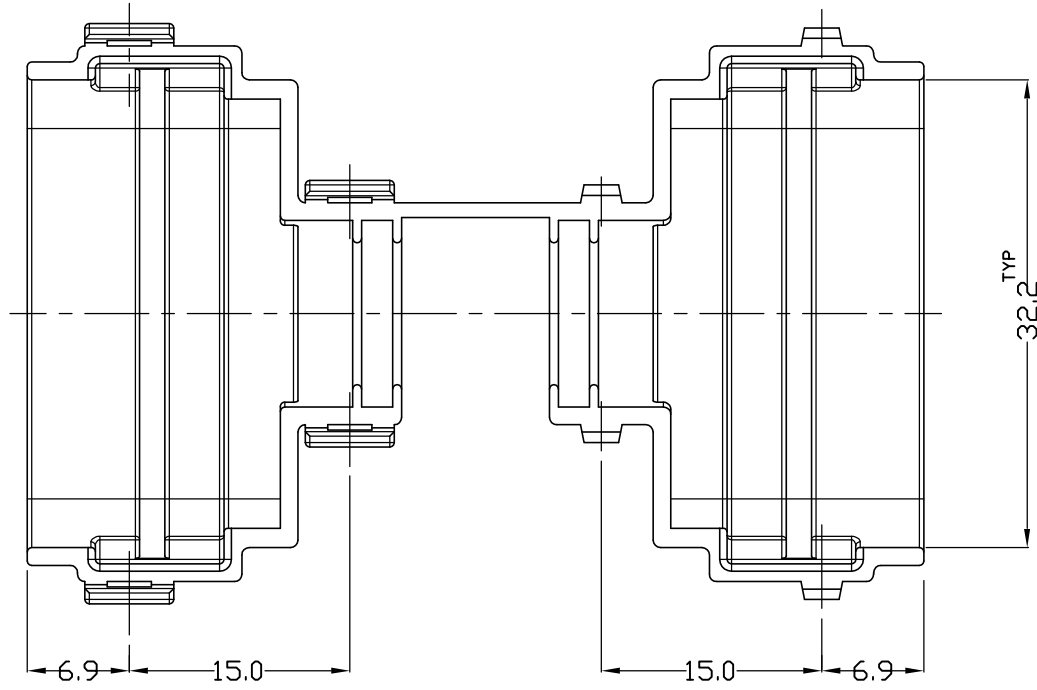
1

THIS DRAWING IS UNPUBLISHED.

RELEASED FOR PUBLICATION

© COPYRIGHT BY TYCO ELECTRONICS CORPORATION, ALL RIGHTS RESERVED.

LOC	DIST	REVISIONS					
DS	-	P	LTR	DESCRIPTION	DATE	DWN	APVD
			01	REVISED (ECR-07-000300)	12. JAN. '11	SJ	HG



NOTE;

1. GENERAL TOLERANCES : ± 0.3 , $\pm 3^\circ$.
2. 0.15 MAX. WARPAGE AND 0.2 MAX. FLASH ARE PERMISSIBLE
3. APPLICABLE CORRUGATE TUBE : $\phi 9.0$ mm.
4. APPLICABLE CONN'R PART NO. : 0-936394-2.
- ④ 4. APPLICABLE TEST SPEC : MS210-06-A2 (EXCEPT 4. 4)

NYLON 66 0-0702902-1	0-936398-2	BLACK 0-0702901-1
MATERIAL	PART NUMBER	COLOR

THIS DRAWING IS A CONTROLLED DOCUMENT FOR TYCO ELECTRONICS CORPORATION IT IS SUBJECT TO CHANGE AND THE CONTROLLING ENGINEERING ORGANIZATION SHOULD BE CONTACTED FOR THE LATEST REVISION.		DWN SJ CHOI		Tyco Electronics kyungsan, korea	
DIMENSIONS: MM		CHK JW JUNG			
TOLERANCES UNLESS OTHERWISE SPECIFIED:		APVD HG CHO		NAME	
0 PLC \pm		PRODUCT SPEC		COVER HSG FOR 2.8mm SEALED 6P PLUG CONN'R	
1 PLC \pm		APPLICATION SPEC		RESTRICTED TO	
2 PLC \pm		WEIGHT		SIZE CAGE CODE DRAWING NO	
3 PLC \pm				A3 00779 C- 936398	
4 PLC \pm				SCALE 2/1 SHEET 1 OF 1 REV 01	
ANGLES \pm					
FINISH					
MATERIAL					
SEE TABLE					