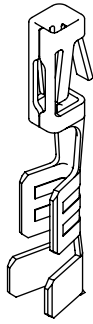


DO NOT SCALE FROM THIS PRINT



ALL DIMENSIONS ARE REFERENCE
(SEE XC-179-XX-X-XX FOR CONTROLLING PRINT)

CC79X-XXXX-XX-X

SUPPLIED
-L: LOOSE
-R: REEL

PLATING
-F: 3µ" GOLD ON CONTACT, BRIGHT ACID TIN ON TAIL
-L: 10µ" GOLD ON CONTACT, BRIGHT ACID TIN ON TAIL
-S: 30µ" GOLD ON CONTACT, BRIGHT ACID TIN ON TAIL

LEAD STYLE
-2630 (26-30 AWG)
-2024 (20-24 AWG)
-2830 (28-30 AWG)(PTFE)

OPTION
(INSULATION THICKNESS)
-01

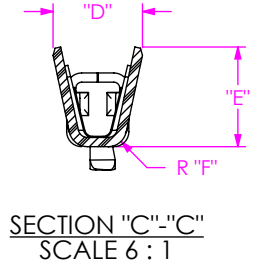
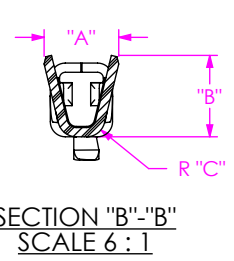
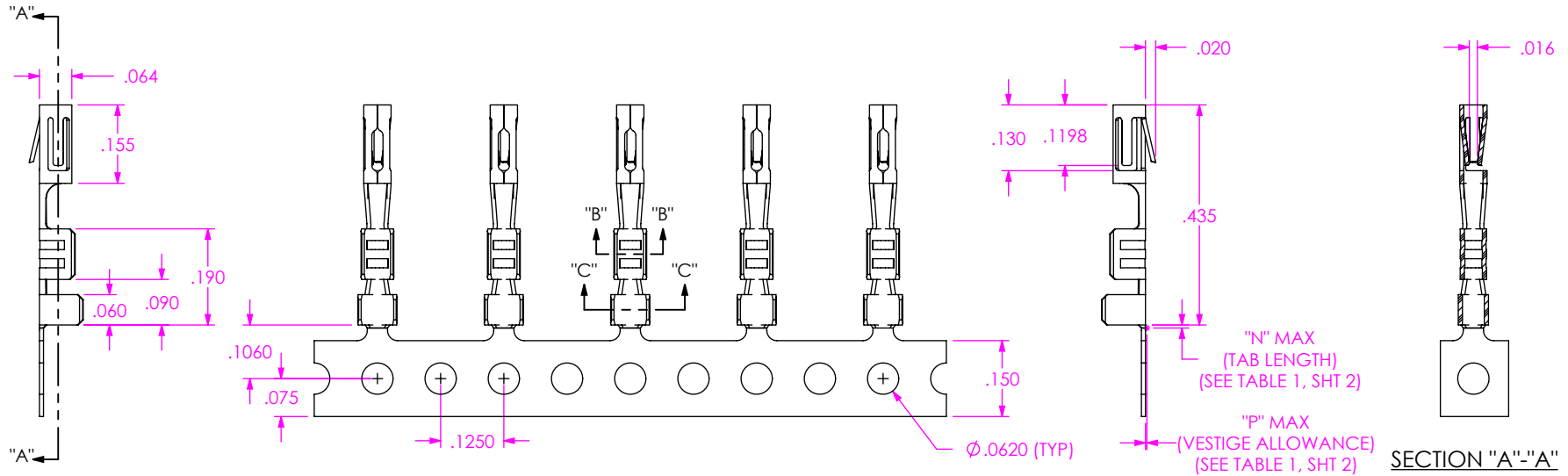


FIG 1
(CC79R-XXXX-01-X SHOWN)

STYLE	"A"	"B"	"C"	"D"	"E"	"F"
-2630	.055	.045	.015	.080	.073	.025
-2024	.080	.073	.018	.110	.103	.030
-2830	.055	.045	.015	.054	.057	.016

- NOTES:
1. PLATED C-179 PARTS TO BE PULLED, PLATING OPTION CONFIRMED, POSITIONED AS SHOWN ON SAMTEC REEL WITH VIEWPORTS, LABELED CC79R WITH APPROPRIATE PLATING CALLOUT AND LABEL PLACED AS SHOWN.
 2. MAXIMUM No OF SPLICES PER REEL: 2
 3. SPLICES ARE NOT TO BE CONNECTED.
 4. NUMBER OF SPLICES TO BE MARKED ON EACH REEL.
 5. REELED PARTS TO BE INTERLEAVED WITH PAPER BETWEEN EACH LAYER OF PARTS.
 6. ALLOWABLE INTERLEAF SPLICES PER REEL: 3
 7. SECURELY CONNECT INTERLEAF SPLICE.
 8. OUTER WRAP SHALL RECEIVE HMS1015C-16MM PROTECTIVE REEL BAND.
 9. DUE TO PLATING REQUIREMENTS CONTACT SAMPLES MAY BE REMOVED INTERMITTINGLY FROM THE CARRIER RESULTING IN SMALL GAPS BUT DOES NOT AFFECT FINAL COUNT.
 10. QTY PER REEL: 12,000 ± 15 PCS

UNLESS OTHERWISE SPECIFIED, DIMENSIONS ARE IN INCHES.	* PROPRIETARY NOTE THIS DOCUMENT CONTAINS CONFIDENTIAL AND PROPRIETARY INFORMATION AND ALL DESIGN, MANUFACTURING, REPRODUCTION, USE, PATENT RIGHTS AND SALES RIGHTS ARE EXPRESSLY RESERVED BY SAMTEC, INC. THIS DOCUMENT SHALL NOT BE DISCLOSED, IN WHOLE OR PART, TO ANY UNAUTHORIZED PERSON OR ENTITY NOR REPRODUCED, TRANSFERRED OR INCORPORATED IN ANY OTHER PROJECT IN ANY MANNER WITHOUT THE EXPRESS WRITTEN CONSENT OF SAMTEC, INC.		
		520 PARK EAST BLVD. NEW ALBANY, IN 47150 PHONE: 812-944-6733 FAX: 812-948-5047 e-Mail: info@SAMTEC.com code: 55322	
MATERIAL: DO NOT SCALE DRAWING SHEET SCALE: 3:1	DESCRIPTION: .100 IPD1 CONTACT	DWG. NO. CC79X-XXXX-XX-X	
PHOS BRONZE THICKNESS: .0080	BY: DEAN P 8/12/2004	SHEET 1 OF 2	
F:\DWG\MISC\MKTG\CC79X-XXXX-XX-X-MKT.SLDDRW			

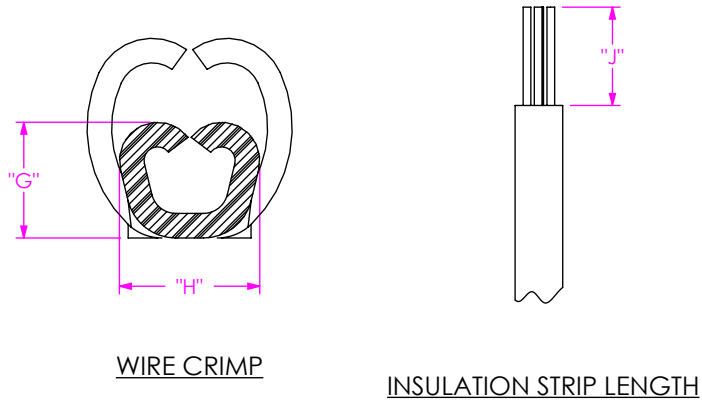


TABLE 2								
P/N	AWG	STRANDS/AWG	INSULATION OD	"G"	"H"	"J"	"N" MAX (TAB LENGTH)	"P" MAX (VESTIGE LENGTH)
CC79X-2630-01-X	30	7/38	.029-.035	.0250	.0430	.133	.0120	.0020
	28	7/36	.032-.038	.0260	.0430	.133	.0120	.0020
	26	7/34	.048-.054	.0270	.0430	.133	.0120	.0020
CC79X-2024-01-X	24	7/32	.053-.059	.0310	.0570	.128	.0120	.0020
	22	7/30	.059-.065	.0340	.0570	.128	.0120	.0020
	20	7/28	.066-.072	.0360	.0570	.128	.0120	.0020
	20TC	7/28	.057-.063	.0360	.0570	.128	.0120	.0020
CC79X-2830-01-X	24TC	7/32	.041-.047	.0310	.0570	.128	.0120	.0020
	30TC	7/38	.029-.035	.0250	.0430	.128	.0120	.0020
	28TC	7/36	.032-.038	.0260	.0430	.128	.0120	.0020

FIG 2
RECOMMENDED PROCESSING

TABLE 3				
SUPPLIED	REEL PART NUMBER	"K"	"L"	"M"
-R	R-24-05.00-0.75-P	24.0	5.00	1.125

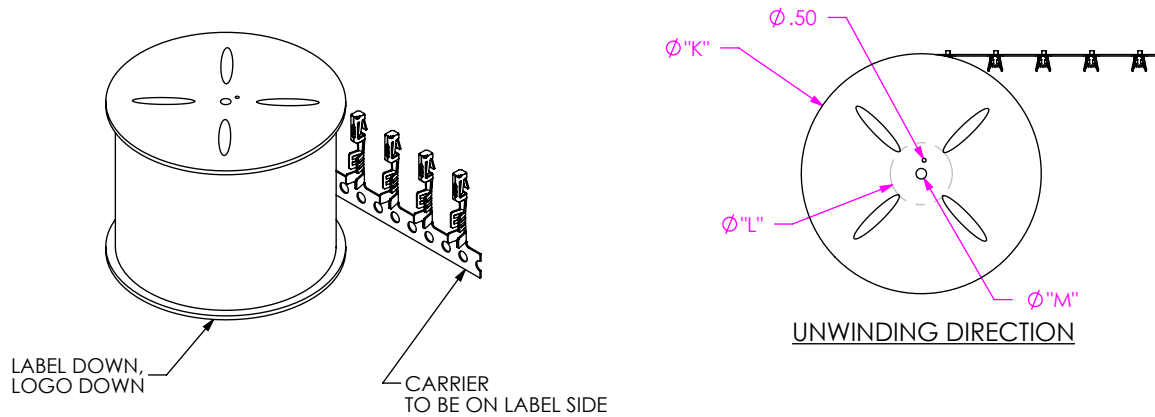


FIG 3
REEL SPECIFICATIONS

F:\DWG\MISC\MKTG\CC79X-XXXX-XX-X-MKT.SLDRW

<p>DO NOT SCALE DRAWING</p> <p>SHEET SCALE: 5:1</p>	<p>PROPRIETARY NOTE</p> <p>THIS DOCUMENT CONTAINS CONFIDENTIAL AND PROPRIETARY INFORMATION AND ALL DESIGN, MANUFACTURING, REPRODUCTION, USE, PATENT RIGHTS AND SALES RIGHTS ARE EXPRESSLY RESERVED BY SAMTEC, INC. THIS DOCUMENT SHALL NOT BE DISCLOSED, IN WHOLE OR PART, TO ANY UNAUTHORIZED PERSON OR ENTITY NOR REPRODUCED, TRANSFERRED OR INCORPORATED IN ANY OTHER PROJECT IN ANY MANNER WITHOUT THE EXPRESS WRITTEN CONSENT OF SAMTEC, INC.</p>	<p>520 PARK EAST BLVD, NEW ALBANY, IN 47150 PHONE: 812-944-6733 FAX: 812-948-5047 e-Mail: info@SAMTEC.com code: 55322</p>
	<p>DESCRIPTION:</p> <p>.100 IPD1 CONTACT</p>	
	<p>DWG. NO.</p> <p>CC79X-XXXX-XX-X</p>	
<p>BY: DEAN P 8/12/2004</p>		<p>SHEET 2 OF 2</p>