

NOTES:

1. MATERIAL:

HOUSING : PPS  
 TERMINAL: PHOSPHOR BRONZE

2. FINISH
- 0 - GOLD FLASH IN CONTACT AREA, 1.52um/60uin MIN. TIN IN SOLDER TAIL, BOTH OVER 0.76um/30uin MIN. NICKEL OVERALL.
  - 1 - 0.25um/10uin MIN. GOLD IN CONTACT AREA, 1.52um/60uin MIN. TIN IN SOLDER TAIL, BOTH OVER 0.76um/30uin MIN. NICKEL OVERALL.
  - 2 - 0.38um/15uin MIN. GOLD IN CONTACT AREA, 1.52um/60uin MIN. TIN IN SOLDER TAIL, BOTH OVER 0.76um/30uin MIN. NICKEL OVERALL.
  - 3 - 0.76um/30uin MIN. GOLD IN CONTACT AREA, 1.52um/60uin MIN. TIN IN SOLDER TAIL, BOTH OVER 0.76um/30uin MIN. NICKEL OVERALL.
  - 4 - 0.50um/20uin MIN. GOLD IN CONTACT AREA, 1.52um/60uin MIN. TIN IN SOLDER TAIL, BOTH OVER 0.76um/30uin MIN. NICKEL OVERALL.

- 3. PRODUCT SPECIFICATION REFER TO PS-48200-001.
- 4. PRODUCT SPECIFICATION : PER PS-48200-001
- 5. TEST SUMMARY : PER TS-48200-001
- 6. PACKAGE SPECIFICATION : PK-48200-001
- 7. LEAD FREE AND ROHS COMPLIANT PRODUCT

PART NO. LEGEND : 48200 - 92\*\*

PEG VERSION, COLOR \_\_\_\_\_ PLATING VERSION (REFER TO NOTES 2)

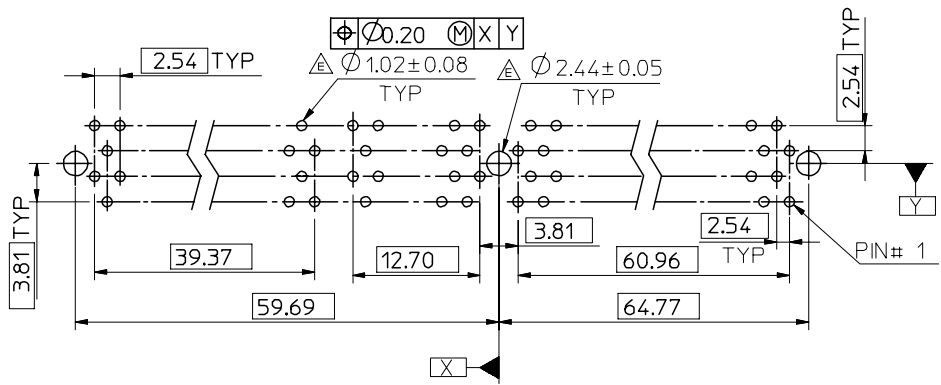
0:STANDARD , BROWN , 5V, PLASTIC PEG  
 1:STANDARD , WHITE , 5V, PLASTIC PEG  
 5:STANDARD , WHITE , 5V, METAL PEG

DRAWING ERROR	EC NO:	2007/03/05	QUALITY SYMBOLS	$\nabla=0$ $\triangle=0$	GENERAL TOLERANCES (UNLESS SPECIFIED)		DIMENSION STYLE		SCALE	DESIGN UNITS	THIRD ANGLE PROJECTION	
	DRWN:ALLIN	2007/03/09			mm	INCH	2:1	METRIC	$\triangle$			
	CHKD:	2007/03/13	4 PLACES	$\pm$ ---	$\pm$ ---	DRAWN BY	DATE	TITLE	ASS'Y 1.27MM EDGE CARD CONN 184 CKT (3.3V & 5V)			
	APPR:WWSCHANG	2007/03/13	3 PLACES	$\pm$ ---	$\pm$ ---	CHECKED BY	DATE	MOLEX MOLEX INCORPORATED				
REV	DESCRIPTION	2 PLACES	$\pm 0.25$	$\pm$ ---	APPROVED BY	DATE	MATERIAL NO.	DOCUMENT NO.	SHEET NO.	THIS DRAWING CONTAINS INFORMATION THAT IS PROPRIETARY TO MOLEX INCORPORATED AND SHOULD NOT BE USED WITHOUT WRITTEN PERMISSION		
		1 PLACE	$\pm 0.25$	$\pm$ ---	WWSCHANG	2005/02/04	SEE TABLE	SD-48200-001	1 OF 4			

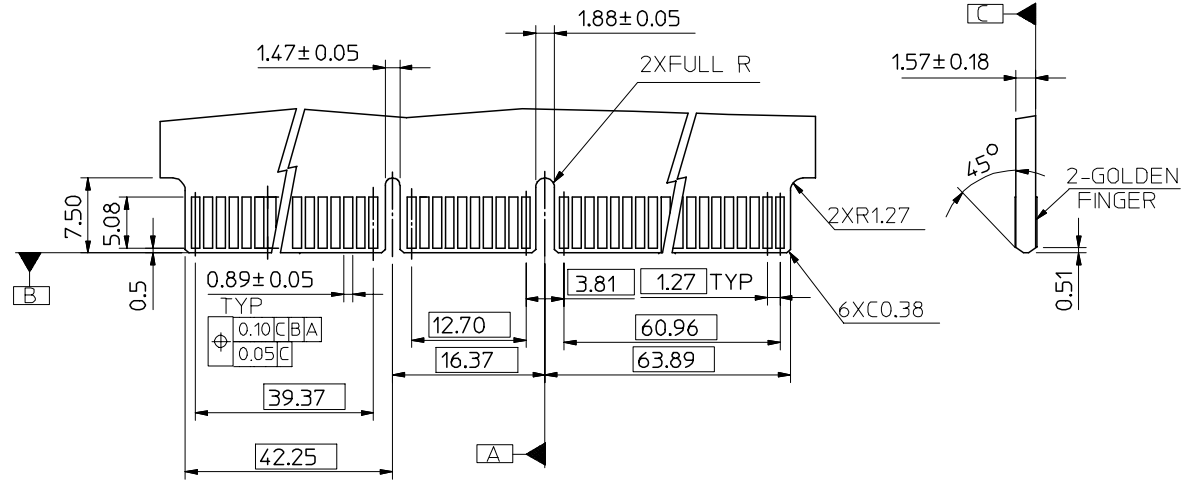
10 9 8 7 6 5 4 3 2 1

F  
E  
D  
C  
B  
A

F  
E  
D  
C  
B  
A



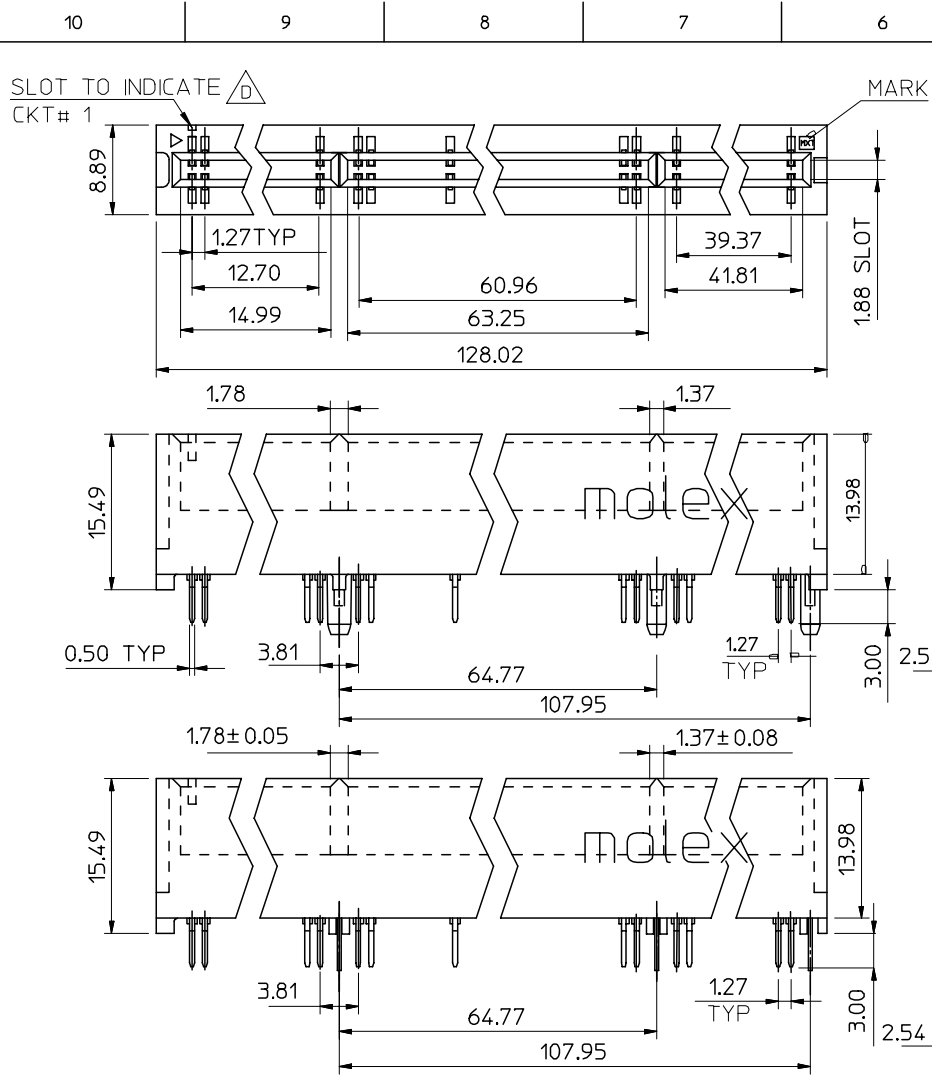
RECOMMENDED P.C. BOARD PATTERN



RECOMMENDED MATING P.C. BOARD EDGE CONFIGURATION

SEE SHEET 1 EC NO: SH2007-0620 DRWN: ALLIN CHKD: APPR: WWSCHANG	2007/03/05 2007/03/09 2007/03/13	QUALITY SYMBOLS ▽=0 ▽=0	GENERAL TOLERANCES (UNLESS SPECIFIED)		DIMENSION STYLE MM ONLY		SCALE 2:1	DESIGN UNITS METRIC	THIRD ANGLE PROJECTION				
			4 PLACES ± --- ± ---	3 PLACES ± --- ± ---	2 PLACES ± 0.25 ± ---	1 PLACE ± 0.25 ± ---	DRAWN BY TOM	DATE 2005/02/04	TITLE ASS'Y 1.27MM EDGE CARD CONN 184 CKT (3.3V & 5V)				
			ANGULAR ± 3 °		DRAFT WHERE APPLICABLE MUST REMAIN WITHIN DIMENSIONS		CHECKED BY ALL IN	DATE 2005/02/04	APPROVED BY WWSCHANG				
			SEE TABLE		MATERIAL NO.		DOCUMENT NO. SD-48200-001			SHEET NO. 2 OF 4			

9 8 7 6 5 4 3 2 1



NOTES:

1. MATERIAL:

HOUSING : PPS  
 TERMINAL: PHOSPHOR BRONZE



2.FINISH 0 - GOLD FLASH IN CONTACT AREA, 1.52um/60uin MIN. TIN IN SOLDER TAIL, BOTH OVER 0.76um/30uin MIN. NICKEL OVERALL.

1 - 0.25um/10uin MIN. GOLD IN CONTACT AREA, 1.52um/60uin MIN. TIN IN SOLDER TAIL, BOTH OVER 0.76um/30uin MIN. NICKEL OVERALL.

2 - 0.38um/15uin MIN. GOLD IN CONTACT AREA, 1.52um/60uin MIN. TIN IN SOLDER TAIL, BOTH OVER 0.76um/30uin MIN. NICKEL OVERALL.

3 - 0.76um/30uin MIN. GOLD IN CONTACT AREA, 1.52um/60uin MIN. TIN IN SOLDER TAIL, BOTH OVER 0.76um/30uin MIN. NICKEL OVERALL.

4 - 0.50um/20uin MIN. GOLD IN CONTACT AREA, 1.52um/60uin MIN. TIN IN SOLDER TAIL, BOTH OVER 0.76um/30uin MIN. NICKEL OVERALL.

3. PROCUDT SPECIFICATION REFER TO PS-48200-001.

4. PRODUCT SPECIFICATION : PER PS-48200-001

5. TEST SUMMARY : PER TS-48200-001

6. PACKAGE SPECIFICATION : PK-48200-001

7. LEAD FREE AND ROHS COMPLIANT PRODUCT

PART NO. LEGEND : 48200 - 92\*\*

PEG VERSION, COLOR \_\_\_\_\_ PLATING VERSION (SEE NOTES 2)

2 : STANDARD , BROWN , 3.3V, PLASTIC PEG

3 : STANDARD , WHITE , 3.3V, PLASTIC PEG

4 : STANDARD , RED , 3.3V, PLASTIC PEG

6 : STANDARD , WHITE, 3.3V, METAL PEG

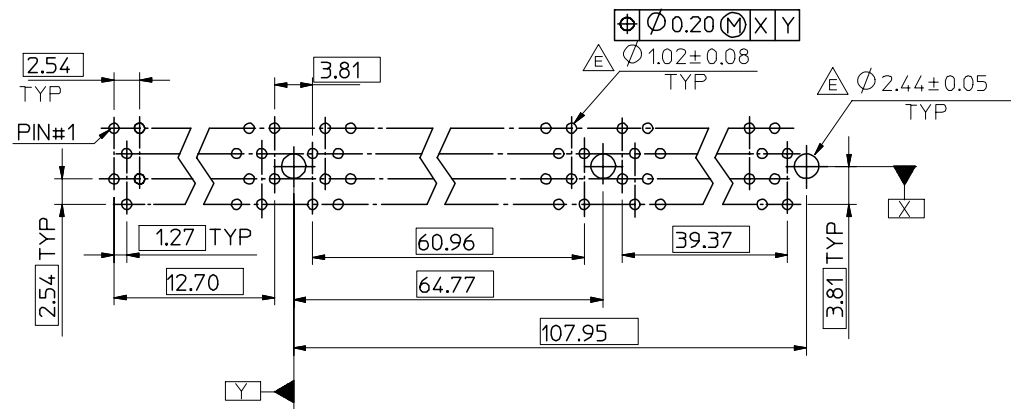
7 : STANDARD , GREEN , 3.3V, PLASTIC PEG (PANTON COLOR 365C)

8 : STANDARD , BLACK , 3.3V, PLASTIC PEG

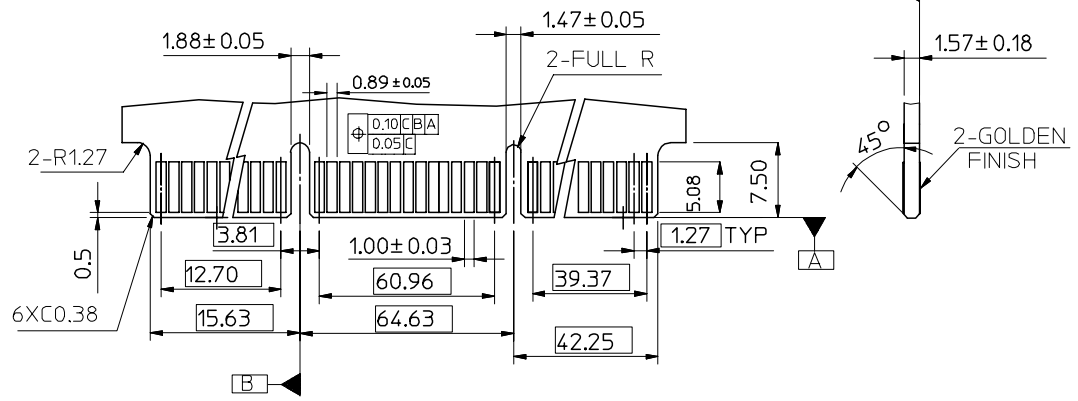
SEE SHEET 1 EC NO: SH2007-0620 DRWN:ALLIN CHKD: APPR:WWSCHANG REV DESCRIPTION	QUALITY SYMBOLS	GENERAL TOLERANCES (UNLESS SPECIFIED)	DIMENSION STYLE	SCALE	DESIGN UNITS	THIRD ANGLE PROJECTION															
	$\nabla=0$ $\triangle=0$	<table border="1"> <thead> <tr> <th></th> <th>mm</th> <th>INCH</th> </tr> </thead> <tbody> <tr> <td>4 PLACES</td> <td>± ---</td> <td>± ---</td> </tr> <tr> <td>3 PLACES</td> <td>± ---</td> <td>± ---</td> </tr> <tr> <td>2 PLACES</td> <td>± 0.25</td> <td>± ---</td> </tr> <tr> <td>1 PLACE</td> <td>± 0.25</td> <td>± ---</td> </tr> </tbody> </table>		mm	INCH	4 PLACES	± ---	± ---	3 PLACES	± ---	± ---	2 PLACES	± 0.25	± ---	1 PLACE	± 0.25	± ---	MM ONLY	2:1	METRIC	
		mm	INCH																		
	4 PLACES	± ---	± ---																		
3 PLACES	± ---	± ---																			
2 PLACES	± 0.25	± ---																			
1 PLACE	± 0.25	± ---																			
			DRAWN BY	DATE	TITLE																
			TOM	2005/02/04	ASS'Y 1.27MM EDGE CARD CONN 184 CKT (3.3V & 5V)																
			CHECKED BY	DATE																	
			ALL IN	2005/02/04																	
			APPROVED BY	DATE																	
			WWSCHANG	2005/02/04																	
			MATERIAL NO.	DOCUMENT NO.																	
			SEE TABLE	SD-48200-001																	
			SIZE																		
			A3																		
			THIS DRAWING CONTAINS INFORMATION THAT IS PROPRIETARY TO MOLEX INCORPORATED AND SHOULD NOT BE USED WITHOUT WRITTEN PERMISSION																		
						SHEET NO. 3 OF 4															

10 9 8 7 6 5 4 3 2 1

F  
E  
D  
C  
B  
A



RECOMMENDED P.C BOARD PATTERN



RECOMMENDED MATING P.C. BOARD EDGE CONFIGURATION

SEE SHEET 1 EC NO: SH2007-0620 DRWN: ALLIN CHKD: APPR: WWSCHANG	2007/03/05 2007/03/09 2007/03/13	DESCRIPTION REV	QUALITY SYMBOLS	GENERAL TOLERANCES (UNLESS SPECIFIED)	DIMENSION STYLE	SCALE	DESIGN UNITS	THIRD ANGLE PROJECTION	
			$\nabla = 0$ $\nabla C = 0$	mm    INCH	MM ONLY	2:1	METRIC	DRAWN BY: TOM DATE: 2005/02/04 CHECKED BY: ALL IN DATE: 2005/02/04 APPROVED BY: WWSCHANG DATE: 2005/02/04	TITLE: ASS'Y 1.27MM EDGE CARD CONN 184 CKT (3.3V & 5V)
			4 PLACES ± --- ± --- 3 PLACES ± --- ± --- 2 PLACES ± 0.25 ± --- 1 PLACE ± 0.25 ± --- ANGULAR ± 3 °	SEE TABLE	MATERIAL NO. DOCUMENT NO.	MOLEX INCORPORATED			
			DRAFT WHERE APPLICABLE MUST REMAIN WITHIN DIMENSIONS	SIZE A3 THIS DRAWING CONTAINS INFORMATION THAT IS PROPRIETARY TO MOLEX INCORPORATED AND SHOULD NOT BE USED WITHOUT WRITTEN PERMISSION	SD-48200-001	SHEET NO. 4 OF 4			

9 8 7 6 5 4 3 2 1