

THIS DRAWING IS UNPUBLISHED. RELEASED FOR PUBLICATION

© COPYRIGHT BY TYCO ELECTRONICS CORPORATION. ALL RIGHTS RESERVED.

LOC GZ DIST 00

REVISIONS

P	LTR	DESCRIPTION	DATE	DWN	APVD
A		NEW FORMAT & EC0720-0136-04	05MAR04	MD	KH

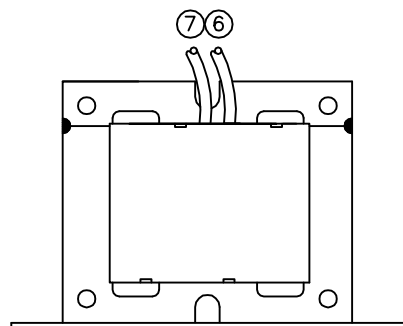
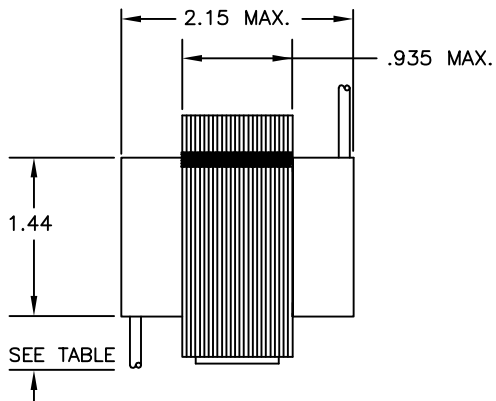
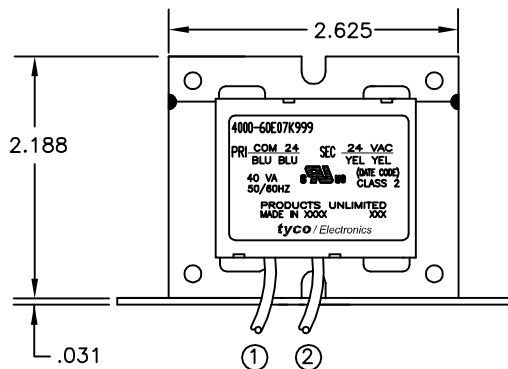
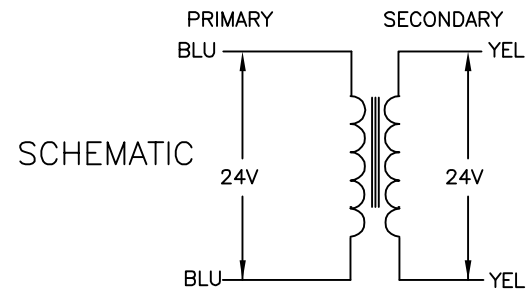
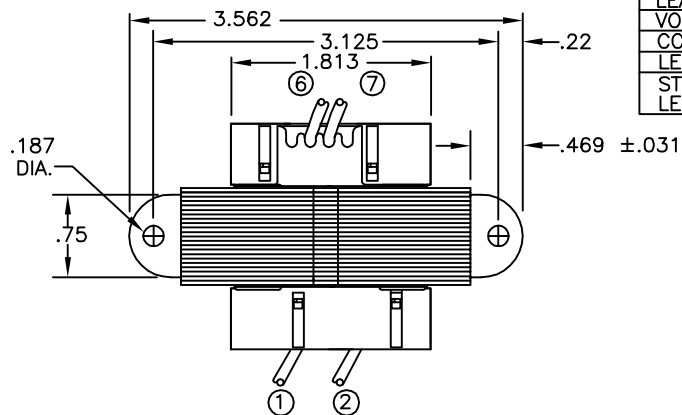
ALL LEADS 18AWG—UNLESS OTHERWISE SPECIFIED

PRIMARY					
LEAD NO.	1	2	3	4	5
VOLTAGE	COM	24			
COLOR	BLU	BLU			
LENGTH	12.0	12.0			
STRIP LENGTH	.50	.50			

- NOTES
1. DIMENSIONS FOR REFERENCE ONLY.
 2. ALL LEADS +1"/-0" TOL.
 3. STRIP TOL. ±1/32
 4. WINDING PROTECTION—INHERENTLY LIMITING

CERTIFICATION:
UL & CUL FILE NO. E87824

SECONDARY				
LEAD NO.	6	7	8	9
VOLTAGE	24	VAC		
COLOR	YEL	YEL		
LENGTH	12.0	12.0		
STRIP LENGTH	.50	.50		



CUST. NO.	TYCO PART NUMBER
-	9-1611455-8

THIS DRAWING IS A CONTROLLED DOCUMENT.		DWN M.DAVIS 05MAR04	Products Tyco Electronics Corporation -UNLIMITED- Harrisburg, Pa 17105-3608	
DIMENSIONS: INCHES		CHK K.HOLSCHUH 05MAR04	NAME TRANSFORMER OUTLINE	
TOLERANCES UNLESS OTHERWISE SPECIFIED:		APVD K.HOLSCHUH 05MAR04	PRODUCT SPEC -	
0 PLC ± -	1 PLC ± -	APPLICATION SPEC -	SIZE A3	CAGE CODE 00779
2 PLC ± -	3 PLC ± -	WEIGHT -	DRAWING NO C=4000-60E07K999	RESTRICTED TO -
4 PLC ± -	ANGLES ± -	CUSTOMER DRAWING	SCALE NTS	SHEET 1 OF 1
MATERIAL -	FINISH -	REV A		