

20 19 18 17 16 15 14 13 12 11 10 9 8 7 6 5 4 3 2 1

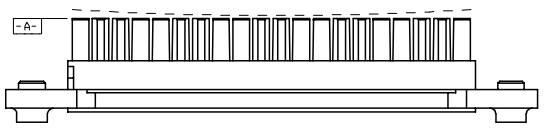
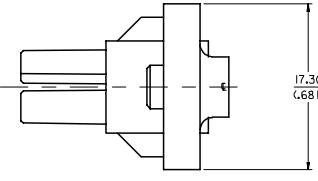
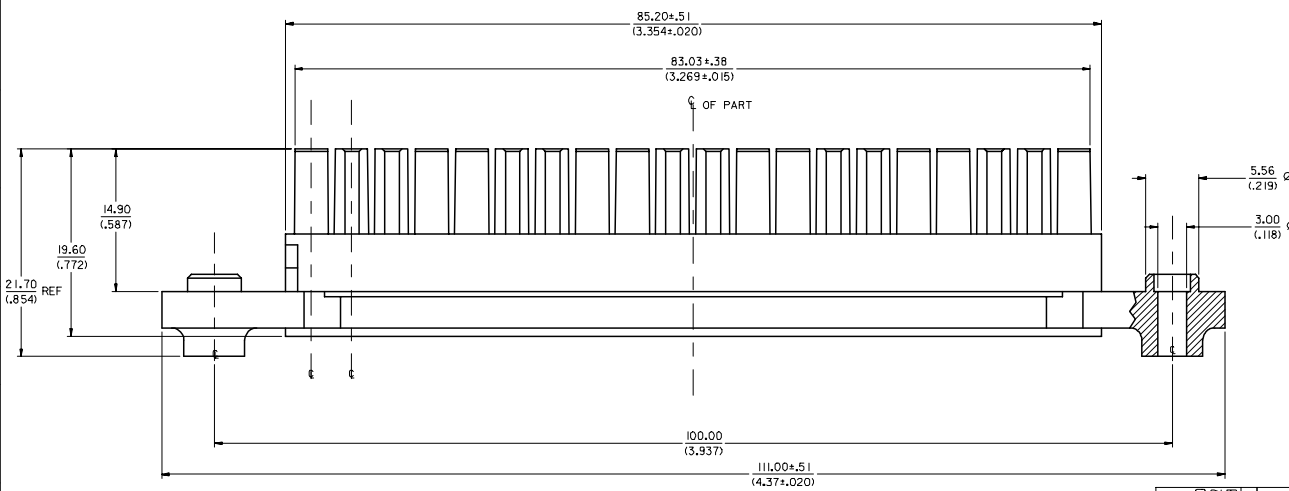
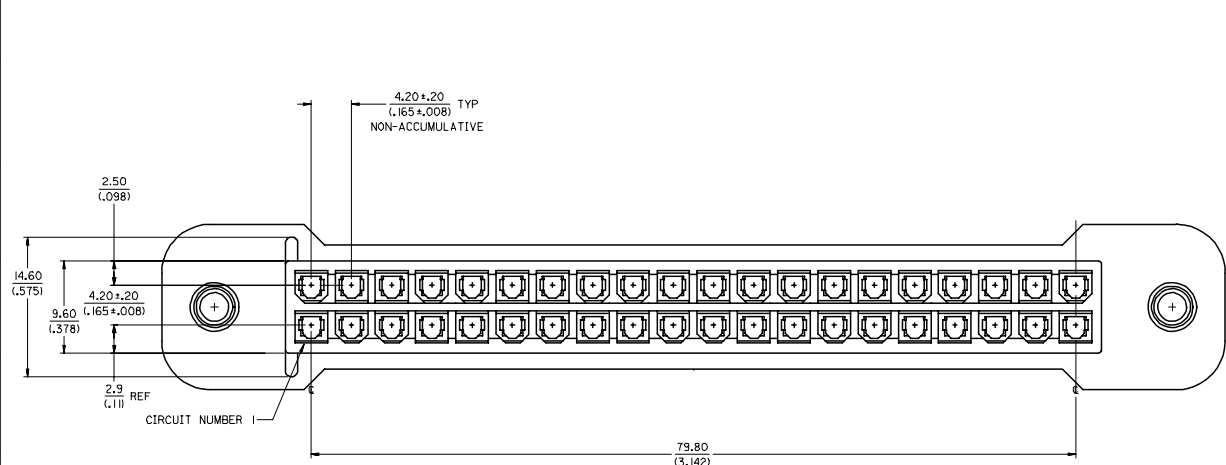


FIGURE 1

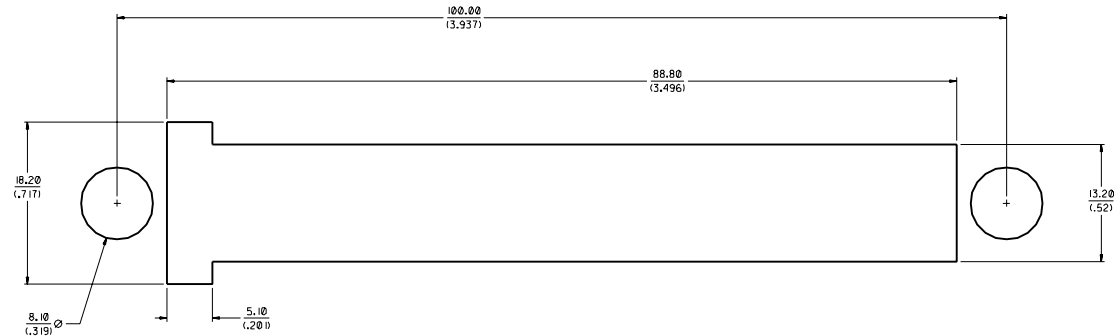
NOTES:

1. MATERIAL:
NYLON 46, GLASS-FILLED, UL94V-0,
COLOR - BLACK
2. FINISH: NONE
3. PRODUCT SPECIFICATION: PS-43759-0001
4. PART IS FOR USE WITH 5556, 44476 AND 45750 SERIES TERMINALS.
5. THIS CONNECTOR ALLOWS FOR .050/(1.27) MAX. MISALIGNMENT IN ANY DIRECTION.
6. A MAXIMUM TOLERANCE OF .050/(1.27) ALLOWS FOR 2 POINTS OF ELECTRICAL CONTACT. A MAXIMUM TOLERANCE OF .020/(.51) ALLOWS FOR 4 POINTS OF CONTACT.
7. PART MATES WITH MINI-FIT B.M.I. HEADER #43973.
8. CONNECTOR ASSEMBLIES ARE NOT TO BE MATED OR UNMATED WHILE CIRCUITS ARE LIVE.
9. PANEL OPENING EDGES MUST BE FREE OF BURRS
10. PART BOW SPECIFICATION MEASURED AT DATUM [-A-] = .15/(.006) PER INCH MAXIMUM. BOW DIRECTION DEFINED BY FIGURE 1.
11. MAXIMUM TORQUE FOR SELF TAPPING SCREW IS NOT TO EXCEED 12.0 IN/LBS.
- IT IS IMPORTANT TO NOTE THAT WHERE OFF AXIS THREADING HAS OCCURRED, THE RECOMMENDED MAXIMUM TORQUE MAY PREVENT THE RECEPTACLE FROM ACHIEVING THE NECESSARY AMOUNT OF FREEDOM. IN THESE INSTANCES, THE AMOUNT OF FORCE REQUIRED TO FLOAT THE RECEPTACLE WITHIN ITS RESPECTIVE PANEL OPENING SHALL NOT EXCEED A MAXIMUM OF 1.0 LB. A MOUNTING TORQUE LESS THAN THE RECOMMENDED MAXIMUM MAY BE NEEDED.
12. IT IS THE RESPONSIBILITY OF THE CUSTOMER TO ENSURE THAT THE PANEL TO WHICH THE RECEPTACLE IS TO BE MOUNTED, IS SUFFICIENTLY SUPPORTED SO THAT FLEXING OF THE PANEL DURING MATING DOES NOT PREVENT THE CONNECTOR SYSTEM FROM BEING FULLY MATED.
13. IT IS RECOMMENDED THAT THE CABLES EXITING THE RECEPTACLE BE DRESSED IN A MANNER THAT WILL ALLOW THE RECEPTACLE TO FLOAT FREELY WHEN MOUNTED IN IT'S RESPECTIVE PANEL.

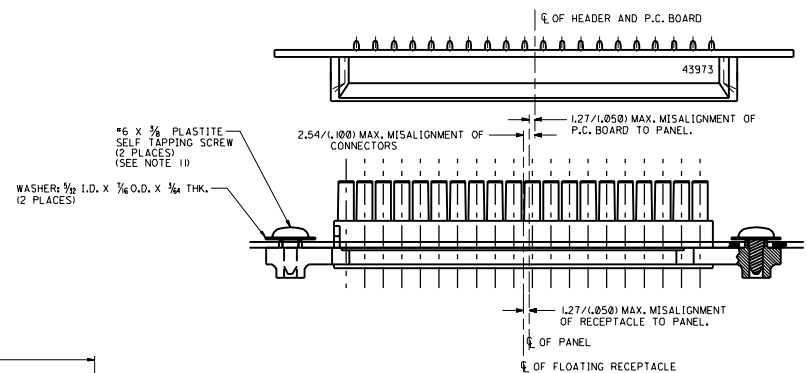
2	A1
1	A3
SHEET REV	

REVISED NOTE 3 & 4 EC NO: UCP2006-2160 DRAWN BY: JORWANA MINIL 2006/03/20 CHECKED BY: CHIKO BOPALAR 2006/03/21 APPR: J. COMECL 2006/03/23 DESCRIPTION:	QUALITY SYMBOLS ▽=0 ▽=0		GENERAL TOLERANCES (UNLESS SPECIFIED) <table border="1"> <tr> <th></th> <th>mm</th> <th>INCH</th> </tr> <tr> <td>Z PLACES ±</td> <td>---</td> <td>±</td> </tr> <tr> <td>3 PLACES ±</td> <td>---</td> <td>±.015</td> </tr> <tr> <td>2 PLACES ±</td> <td>0.38</td> <td>---</td> </tr> <tr> <td>1 PLACE ±</td> <td>---</td> <td>---</td> </tr> <tr> <td colspan="3">ANGULAR ±1/2°</td> </tr> </table>			mm	INCH	Z PLACES ±	---	±	3 PLACES ±	---	±.015	2 PLACES ±	0.38	---	1 PLACE ±	---	---	ANGULAR ±1/2°			DIMENSION STYLE MM/IN		SCALE 4:1	DESIGN UNITS METRIC	THIRD ANGLE PROJECTION
		mm	INCH																								
	Z PLACES ±	---	±																								
	3 PLACES ±	---	±.015																								
2 PLACES ±	0.38	---																									
1 PLACE ±	---	---																									
ANGULAR ±1/2°																											
DRAFT WHERE APPLICABLE MUST REMAIN WITHIN DIMENSIONS			DRAWN BY: BANDURA DATE: 2001/03/18		CHECKED BY: BANDURA DATE: 2001/03/20		APPROVED BY: EDGLEY DATE: 2001/03/22																				
MATERIAL NO. 439740005			DOCUMENT NO. SD-43974-005		SHEET NO. 1 OF 2		TITLE PANEL MOUNT RECEPTACLE 40 CIRCUIT BLIND MATE MINI-FIT SERIES MOLEX INCORPORATED																				
THIS DRAWING CONTAINS INFORMATION THAT IS PROPRIETARY TO MOLEX INCORPORATED AND SHOULD NOT BE USED WITHOUT WRITTEN PERMISSION																											

19 18 17 16 15 14 13 12 11 10 9 8 7 6 5 4 3 2 1



RECOMMENDED PANEL CUT-OUT FOR 1.27±0.30/(1.050±.012) THICK PANEL
(SEE NOTE 9)



ALIGNMENT TOLERANCES FOR 1.27/(.050) MAX. BOARD-TO-PANEL MISALIGNMENT
(±1.27/(.050) RECEPTACLE FLOAT)

SEE SHEET 1	QUALITY SYMBOLS	GENERAL TOLERANCES: (UNLESS SPECIFIED)		SCALE	DESIGN UNITS	THIRD ANGLE PROJECTION	DIMENSIONS:		SHT	REV
		4 PLACES ±0.---	±.---	4 : 1	mm <input checked="" type="checkbox"/> INCH <input type="checkbox"/>		mm	INCH	mm	mm
EC NO.	MAJOR	mm	INCH	DRAWN BY & DATE	TITLE: PANEL-MOUNT RECEPTACLE		MATERIAL NO.		DRAWING NO.	SHEET NO.
DRWN	CRITICAL	4 PLACES ±0.---	±.---	BANDJURA 01/03/18	40-CIRCUIT BLIND MATE		S4337404		SD-43974-005	2
CHK	MINOR	3 PLACES ±0.---	±.015	CHECKED BY & DATE	MINI-FIT SERIES		439740005		SD-43974-005	2
APPR.	MINOR	2 PLACES ±0.38	±.---	APPROVED BY & DATE	MOLEX INCORPORATED		S4337404.DGN		SD-43974-005	2
REV	MINOR	1 PLACE ±0.---	±.---	EDGLEY 01/03/22	THIS DRAWING CONTAINS INFORMATION THAT IS PROPRIETARY TO MOLEX INCORPORATED AND SHOULD NOT BE USED WITHOUT WRITTEN PERMISSION.		S4337404.DGN		SD-43974-005	2
		ANGULAR: ± 1/2 °		CAD FILENAME		MATERIAL NO.		DRAWING NO.		SHEET NO.
		DRAFT WHERE APPLICABLE MUST REMAIN WITHIN DIMENSIONS		S4337404.DGN		439740005		SD-43974-005		2