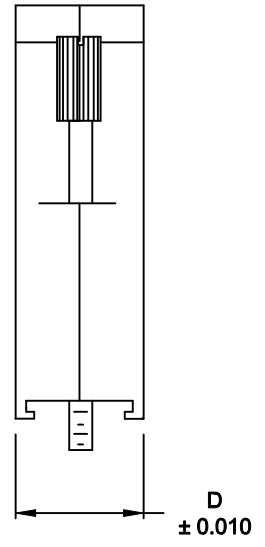
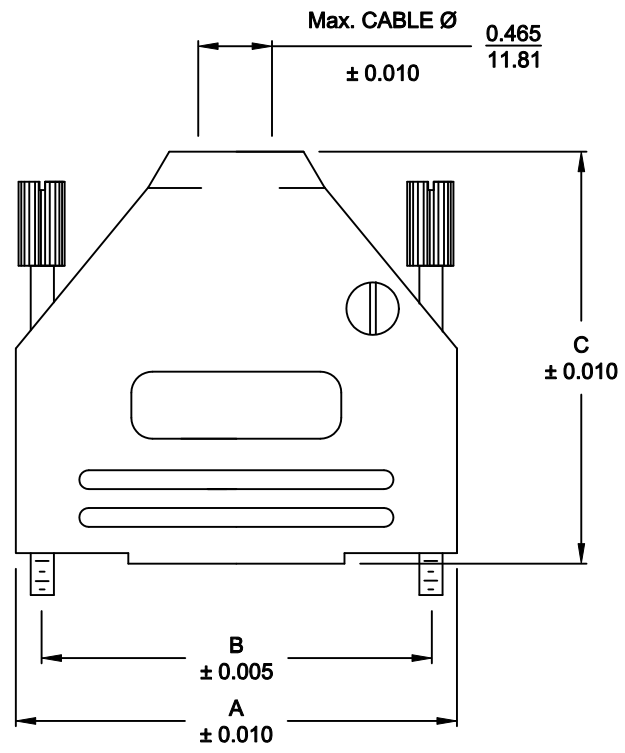


DESCRIPTION: 970 SERIES D-SUB BACKSHELL

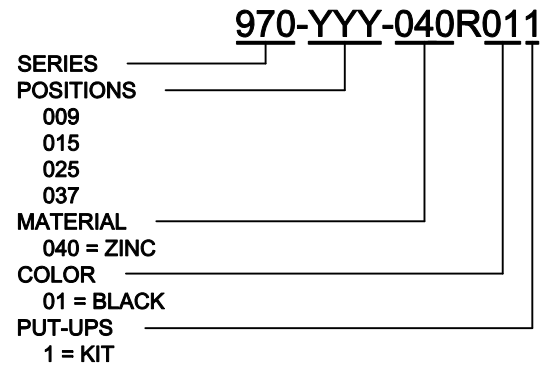
**BACKSHELL KIT INCLUDES:**

- (2) BACKSHELL HALVES
- (2) 4-40 THUMBSCREWS
- (2) HOUSING SCREWS
- (1) SET OF COMPRESSION INSERTS - VARIOUS SIZES  
 $\varnothing 0.157$  [4.0],  $\varnothing 0.197$  [5.0],  $\varnothing 0.276$  [7.0],  $\varnothing 0.354$  [9.0]
- (1) COMPRESSION SPRING


MATERIAL: DIE-CAST ZINC ALLOY  
 PLATING: BLACK OVER COPPER  
 JACKSCREWS: STEEL - BLACK  
 M3 HOODSCREWS: STEEL - BLACK  
 COMPRESSION INSERT: ABS UL 94-HB  
 OPERATING TEMP: -30°C TO +90°C



DIMENSIONS (IN.)				
No. OF PINS	A	B	C	D
9	1.228	0.984	1.571	0.590
	31.19	24.99	39.90	14.99
15	1.555	1.312	1.634	0.590
	39.50	33.32	41.50	14.99
25	2.102	1.852	1.913	0.590
	53.39	47.04	48.59	14.99
37	2.744	2.500	2.110	0.590
	69.70	63.50	53.59	14.99



RoHS COMPLIANT

	THESE DRAWINGS AND SPECIFICATIONS ARE THE PROPERTY OF NorComp AND SHALL NOT BE REPRODUCED, COPIED OR USED AS THE BASIS FOR THE MANUFACTURE OR SALE OF APPARATUS WITHOUT WRITTEN PERMISSION.		DRAWN: <b>PAM JENKINS</b>	DATE: <b>6-10-05</b>
			CHECKED:	DATE:
<b>NorComp</b>		SCALE	SHEET 1 OF 1	REV 7
		DWG NO. <b>970 -YYY-040R011</b>		