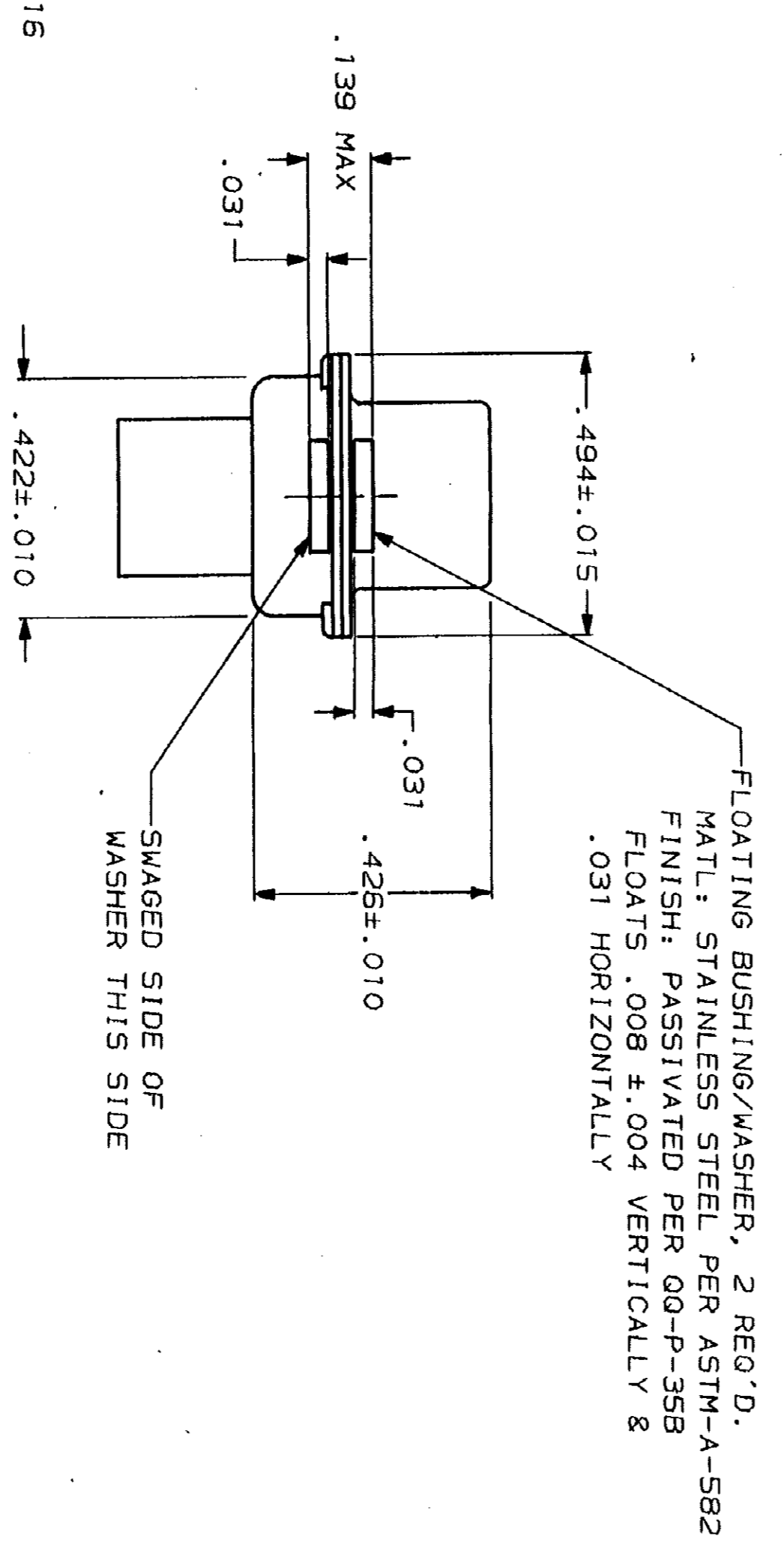
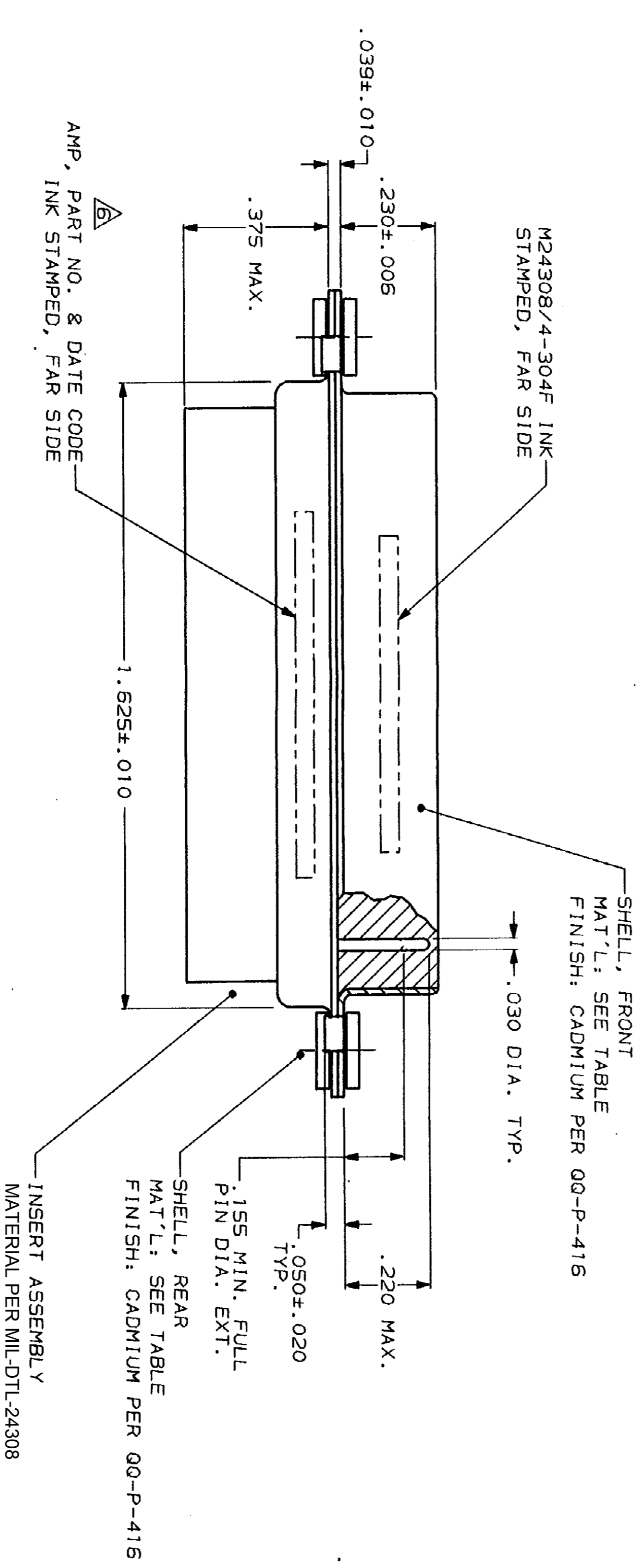
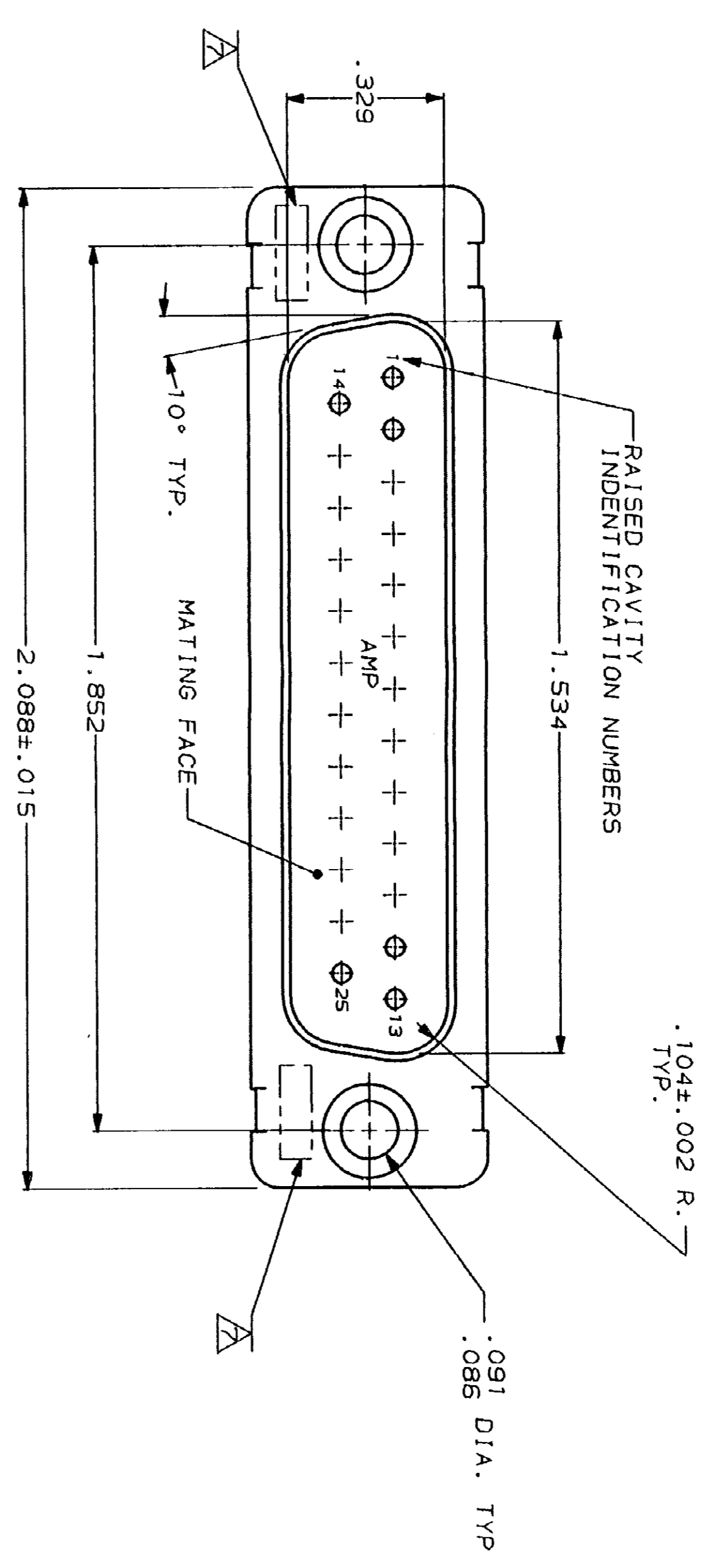


REV	DATE	APP
K	12-81	FB
L	5-15	DM
M	11-15	CD



- THIS PLUG IS DESIGNED TO CONFORM TO THE LATEST ISSUE OF MIL-C-24308
- MAX WIRE INSUL. TO BE USED WITH THIS PLUG IS .068 DIA.
- STAINLESS STEEL RETENTION CLIPS ARE INCLUDED IN INSERTS
- PACKAGE STAMPED M 24308/4-326F
- THIS PLUG WILL ACCEPT SIZE 20 PIN CONTACT M24308/11 OR AMP # 205089

AMP PART NO. STAMPED ON CONNECTOR REPRESENTS KIT NUMBER WITH CONTACTS
 UL/CSA DESIGNATION STAMPED IN THIS AREA.

OBSELETE	BRASS	205413-2
	STEEL PER ASTM-A-109	205413-1
	SHELL MAT'L	PART NO

DO NOT SCALE PRINT. UNLESS SPECIFIED DIMENSIONS IN INCHES TOLERANCES ON:	DR 12-8-87	CHK 12-10-87	APPD 12-10-87	NAME
1. DIMENSIONS ± .010	C.C. THOMAS	F.C. BALLEW III	F.C. BALLEW III	AMP
2. HOLE DIA ± .005				
3. HOLE DIA ± .005				
4. HOLE DIA ± .005				
5. HOLE DIA ± .005				
6. HOLE DIA ± .005				
7. HOLE DIA ± .005				
8. HOLE DIA ± .005				
9. HOLE DIA ± .005				
10. HOLE DIA ± .005				
11. HOLE DIA ± .005				
12. HOLE DIA ± .005				
13. HOLE DIA ± .005				
14. HOLE DIA ± .005				
15. HOLE DIA ± .005				
16. HOLE DIA ± .005				
17. HOLE DIA ± .005				
18. HOLE DIA ± .005				
19. HOLE DIA ± .005				
20. HOLE DIA ± .005				

FINISH	SEE CALLOUTS	APPLICATION SPEC	SIZE	00779	DRAWING NO	205413	REV	N
WEIGHT			SCALE	4:1				SHEET 1 OF 1