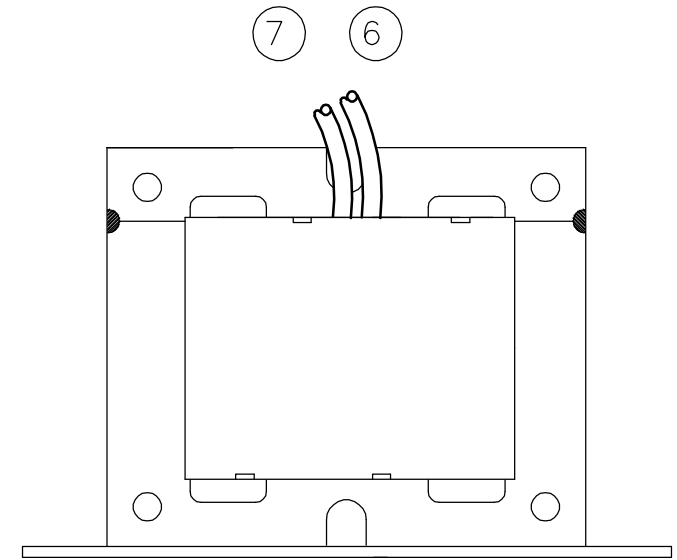
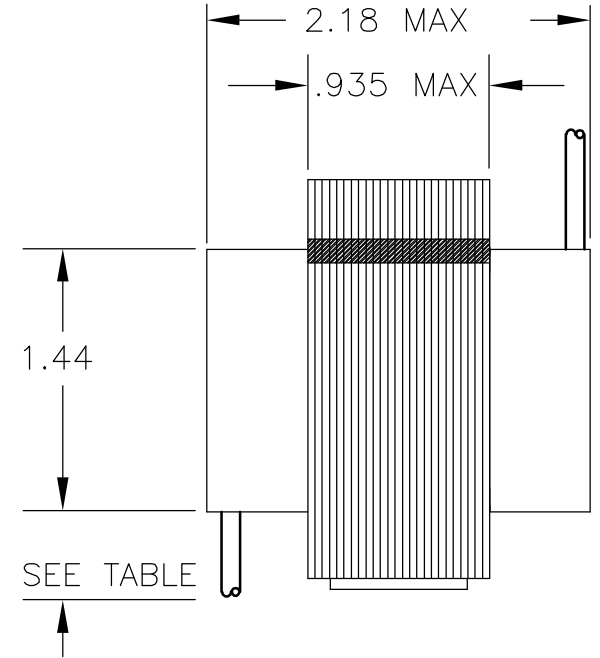
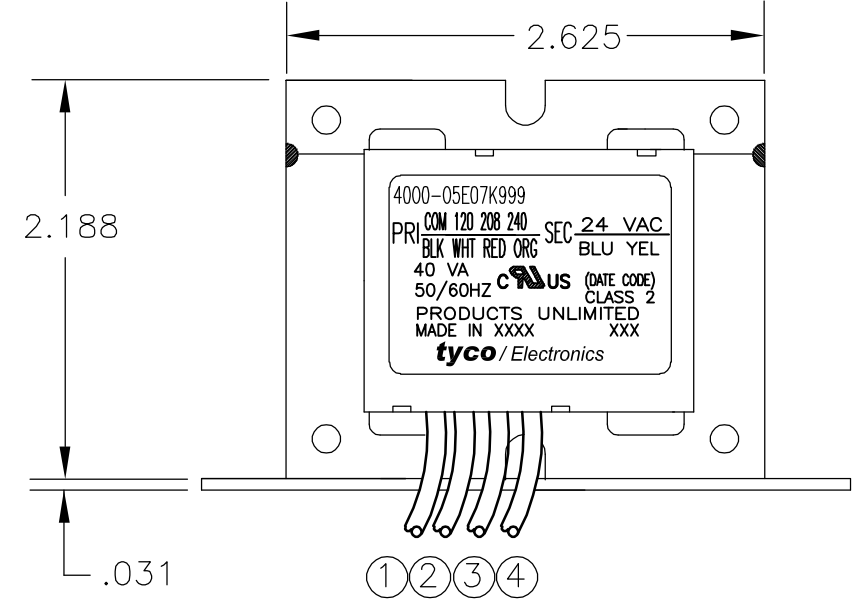
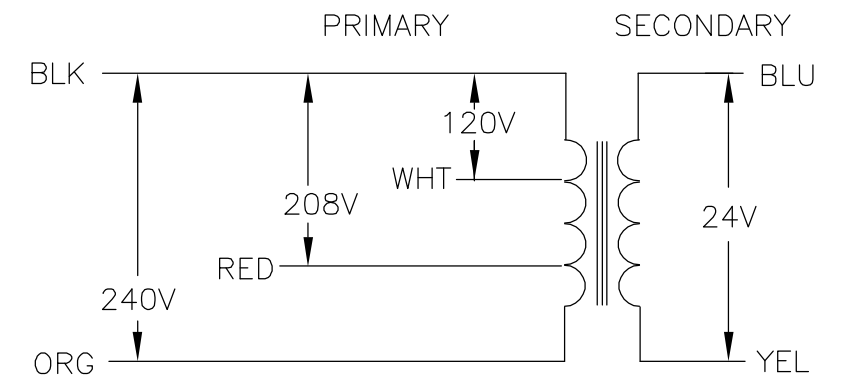
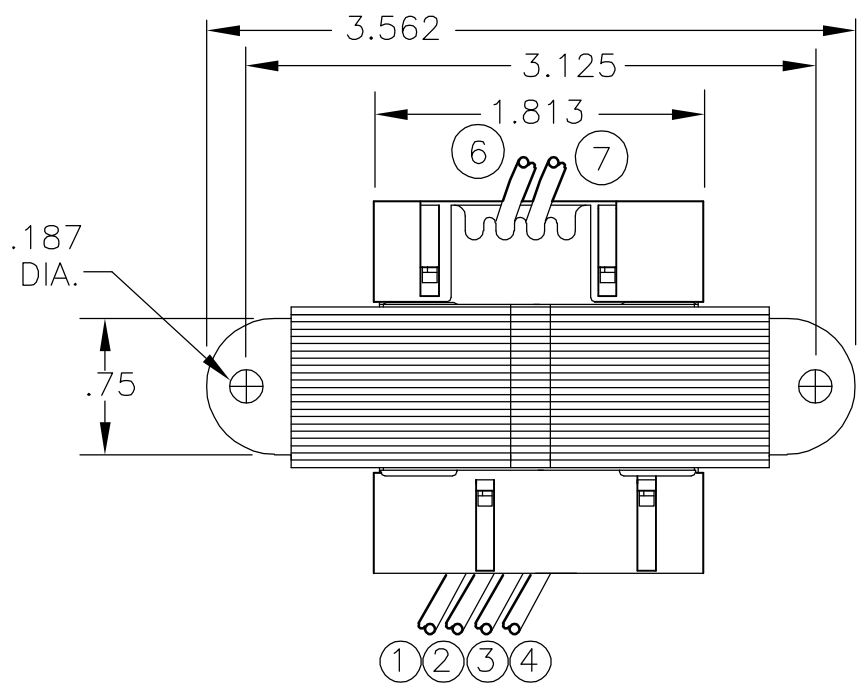


|     |      |           |     |              |           |     |      |
|-----|------|-----------|-----|--------------|-----------|-----|------|
| LOC | DIST | REVISIONS |     |              |           |     |      |
| GZ  | 00   | P         | LTR | DESCRIPTION  | DATE      | DWN | APVD |
|     |      | B         |     | 0611-0155-03 | 16MAY2003 | TCS | KH   |

|              |      |      |      |      |   |              |      |      |   |   |
|--------------|------|------|------|------|---|--------------|------|------|---|---|
| PRIMARY      |      |      |      |      |   | SECONDARY    |      |      |   |   |
| LEAD NO.     | 1    | 2    | 3    | 4    | 5 | LEAD NO.     | 6    | 7    | 8 | 9 |
| VOLTAGE      | COM  | 120  | 208  | 240  |   | VOLTAGE      | 24   | VAC  |   |   |
| COLOR        | BLK  | WHT  | RED  | ORG  |   | COLOR        | BLU  | YEL  |   |   |
| LENGTH       | 12.0 | 12.0 | 12.0 | 12.0 |   | LENGTH       | 12.0 | 12.0 |   |   |
| STRIP LENGTH | .50  | .50  | .50  | .50  |   | STRIP LENGTH | .50  | .50  |   |   |

NOTES  
 1. DIMENSIONS FOR REFERENCE ONLY.  
 2. WINDING PROTECTION—INHERENTLY LIMITING

CERTIFICATION:UL,CUL FILE NO. E87824



SCHEMATIC

TYCO PART NUMBER  
8-1611454-0

|  |  |                  |           |  |
|--|--|------------------|-----------|--|
| THIS DRAWING IS A CONTROLLED DOCUMENT. |  | DWN              | 11FEB1997 |  |
|  |  | CHK              | K.H.      |  |
|  |  | APVD             | -         |  |
|  |  | PRODUCT SPEC     | -         |  |
|  |  | APPLICATION SPEC | -         |  |
|  |  | WEIGHT           | -         |  |
|  |  | CUSTOMER DRAWING |           |  |
|  |  | SCALE            | NTS       |  |
|  |  | SHEET            | 1 OF 1    |  |
|  |  | REV              | B         |  |

|             |  |
|-------------|--|
| DIMENSIONS: | TOLERANCES UNLESS OTHERWISE SPECIFIED: |
| INCHES      |  |
|             | 0 PLC ± -                              |
|             | 1 PLC ± -                              |
|             | 2 PLC ± -                              |
|             | 3 PLC ± -                              |
|             | 4 PLC ± -                              |
|             | ANGLES ± -                             |
| MATERIAL    | FINISH                                 |
| -           | -                                      |

|   |                |
|---|----------------|
| Tyco Electronics Corporation<br>Harrisburg, PA 17105-3608 |                |
| NAME  |                |
| TRANSFORMER OUTLINE<br>P.U. STOCK                         |                |
| SIZE  | A3             |
| CAGE CODE   | 00779          |
| DRAWING NO  | 4000-05E07K999 |
| RESTRICTED TO   | -              |