

PART NAME: KNOB

SCALE: 1:1

DATE: 2/9/93

DR. BY: HD



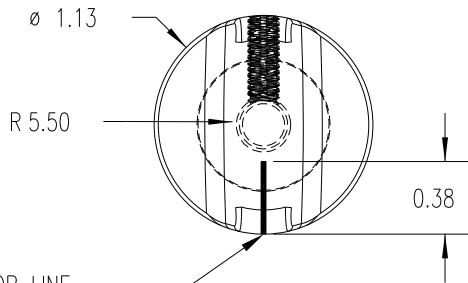
DESIGNERS & MANUFACTURERS
OF KNOBS, HANDLES, CAPS &
CUSTOM PLASTIC COMPONENTS

P/N 1500AU

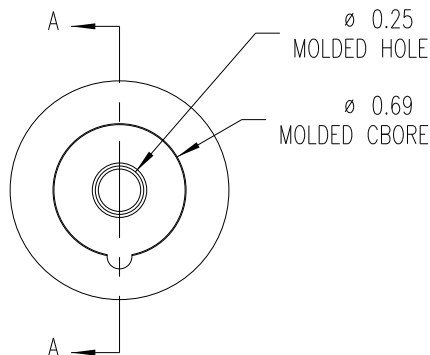
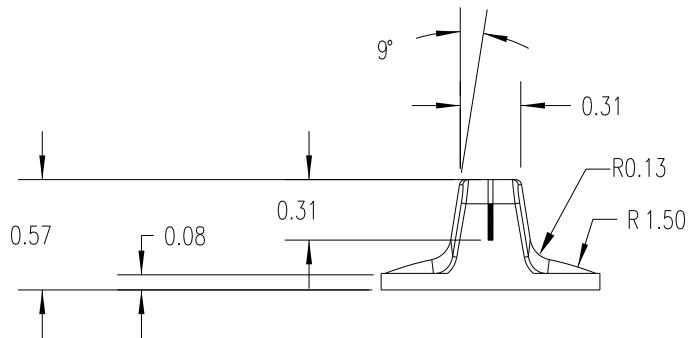
BASE PART 1500-01

SET SCREW I0022

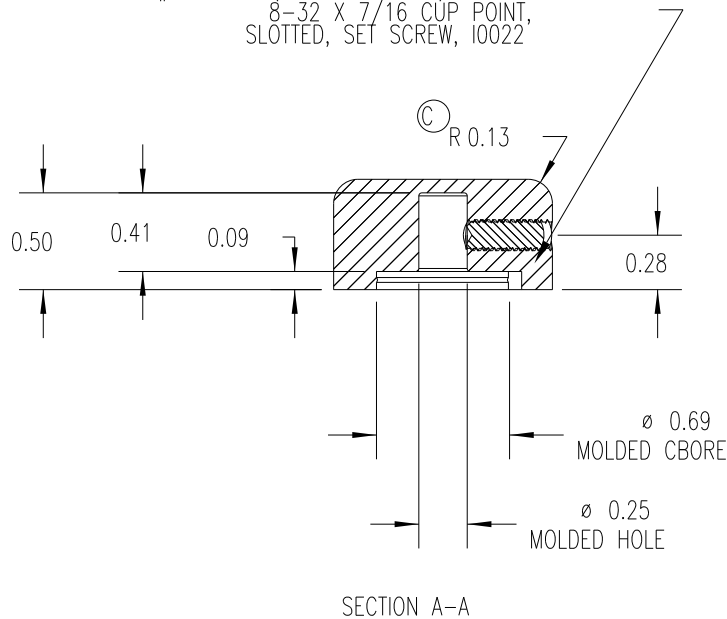
THIS DRAWING IS THE PROPERTY OF DAVIES MOLDING COMPANY, IS SUBMITTED SOLELY AS A DESIGN OR ENGINEERING PROJECT.
WE ACCEPT NO RESPONSIBILITY WHATSOEVER FOR THE PRACTICAL APPLICATION OF THE PIECES MADE TO THIS DESIGN.



(B) INDICATOR LINE
PAD PRINTED IN WHITE



USE #28 DRILL (Ø0.140), 8-32 TAP,
8-32 X 7/16 CUP POINT,
SLOTTED, SET SCREW, I0022



MATERIAL: G.P. PHENOLIC (B11)
COLOR: BLACK

(A)

| | | | | | |
|-------------------------------------------|----------------------------------|---------|-------------------------------|-----|---------|
| TOLERANCES: UNLESS OTHERWISE SPECIFIED | DO NOT SCALE DRAWING | C | WAS R0.06, REDDRAW | JAM | 2/6/08 |
| | | B | DELETED "FILLED" FROM NOTE | RF | 7/31/02 |
| DECIMALS: X.XXX ± .005 X.XX ± .015 | MM: X.XX ± 0.15MM X.X ± 0.4MM | - | UPDATED/HAD TOOLBOX | ST | 4/25/01 |
| | | A | ADDED NEW TOOL BLOCK | HD | 2/24/98 |
| FRACTIONS ± 1/64 | ANG. ± 1° | CHANGES | | | |