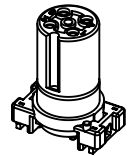
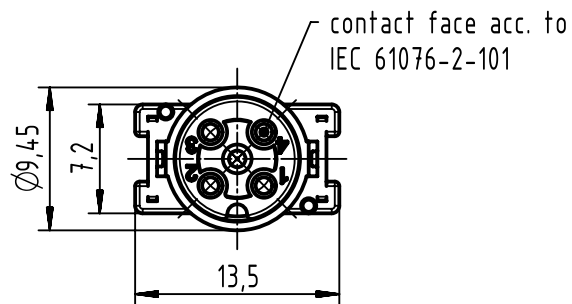
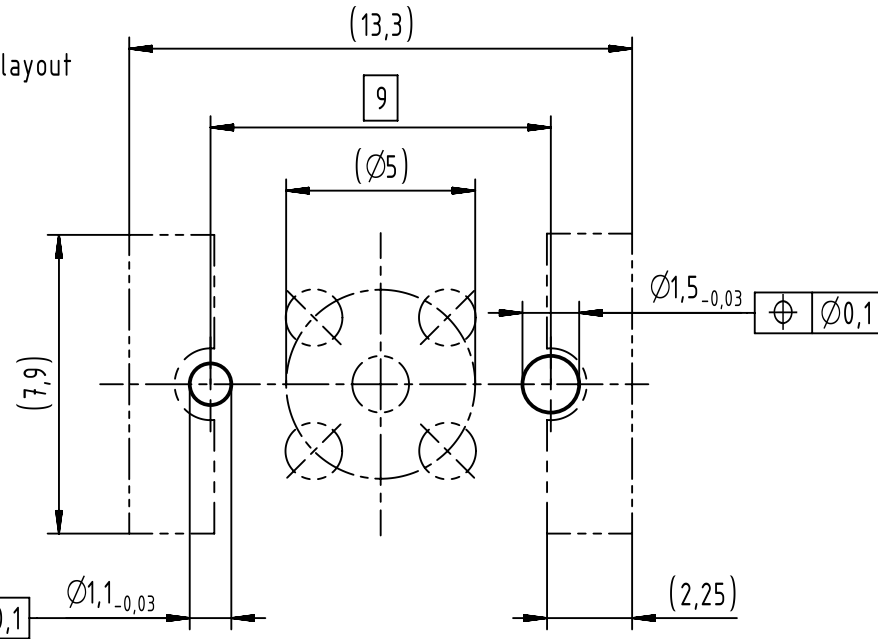



A (5:1)
recommended PCB layout



- 1 pcs. single package

| | | | | | | | |
|---|---|------------|----------------|-----------------|--|---|------|
|  | All Dimensions in mm Original Size DIN A4 | Scale | Free size tol. | | | Ref. | |
| | | 2:1 | | | | Sub. TB 21033212502 500000099094 2016-01-07 | |
| All rights reserved Department EC PD - DE | HARTING Electronics GmbH D-32339 Espelkamp | Created by | Inspected by | Standardisation | Date | State | |
| | | HELLMANN | EISFELD | HOFFMANN | 2016-05-31 | Final Release | |
| Title HARTING M12 PCB recpt str 5-pole A-cod fem unshielded | | | | | Doc-Key / ECM-Nr. 100647484/UGD/000/C 500000103181 | | |
| | | Type | Number | | | Rev. | Page |
| | | TB | 21033112510 | | | C | 1/1 |