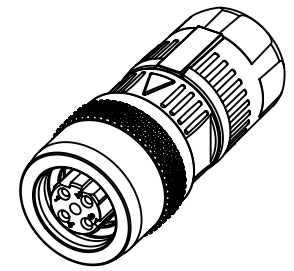
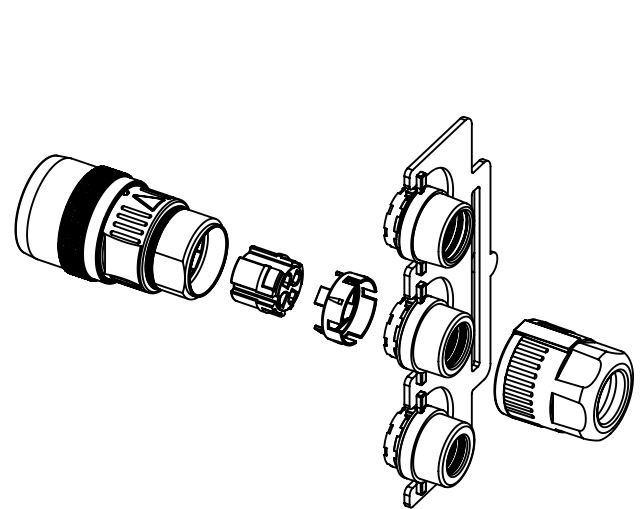
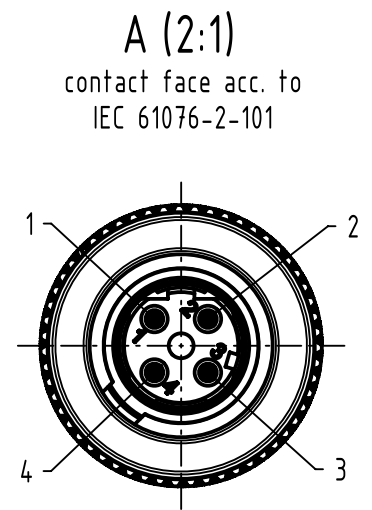
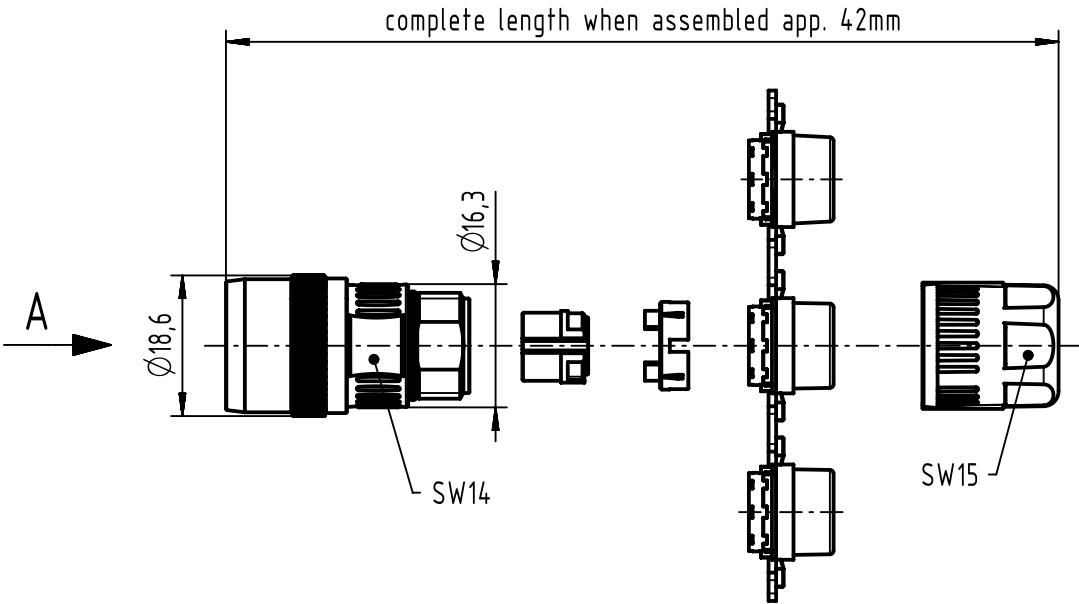



1 2 3 4 5 6



conductor cross section	AWG22
cable outside diameter	5.7 - 8.8mm

	All Dimensions in mm Original Size DIN A4	Scale 1:1		Free size tol.		Ref.	
		Created by BUSSMANT		Inspected by GENAU		Standardisation HOFFMANN	
All rights reserved Department EC PD - DE		Title M12-PP-CC-IDC-4P-DCOD-F-STR-SHLD		State Final Release		Doc-Key / ECM-Nr. 100669904/UGD/001/C 500000118458	
HARTING Electronics GmbH D-32339 Espelkamp		Type TB		Number 21033822401		Rev. C Page 1/1	